



Intelligent 4G LTE VPN Router, Industrial Design,
Dual SIM Failover, RS232 and RS485 Serial connection

Navigateworx NR300 industrial cellular VPN router enables wireless data connectivity over public and private LTE cellular networks at 4G speeds.

NR300 router has dual SIM backup, 1 LAN ports, RS232 and RS485 interfaces are provided to support Serial to IP communication. NR300 router supports 9 to 36 VDC wide range power inputs, designed with reverse-voltage protection mechanism for greater reliability. It is an advanced choice for universal wireless M2M applications with reliable features for data transmission.

TYPICAL APPLICATION



Secure and reliable internet access

- Wireless Mobile Broadband 2G / 3G / 4G Connection
- Connection manager ensure seamless communication
- Support Multiple VPN tunnels for data encryption

Designed for industrial usage

- Power Input Range 9 to 36 VDC
- Industrial design for harsh environment
- Aluminum casing and din-rail installation

Easy to use and easy maintenance

- User friendly web interface for user interaction
- Support Central Management Platform
- Reduce high costs for onsite maintenance

SPECIFICATIONS

CELLULAR	
Frequency Bands	LTE FDD: B1/B2/B3/B4/B5/B7/B8/B20/B28/B28A LTE TDD: B40 WCDMA: B1/B2/B5/B8 GSM: B2/B3/B5/B8 More Bands Demands please contact with us
SIM	2 x SIM slots, 1.8V / 3V
SIM Failover	Auto-switch cases: data limited, no network, network denied, data connection fail
Antennas	2 (MAIN + AUX), SMA female
ETHERNET	
Number of Ports	1 x LAN, Auto 10/100 Mbps
Magnet Isolation Protection	1.5 KV
SERIAL	
Number of Ports	1 x RS-232 (3 PIN) + 1 x RS-485
Connector	Terminal block
ESD Protection	± 15 KV
Baud Rate	300bps to 115200bps
POWER	
Connector	2-pin 3.5 mm female socket
Input Voltage Range	9 to 36 VDC
Power Consumption	Idle: 50 mA@12 V Data link: 200 mA (peak) @12 V
HARDWARE	
Watchdog	Built-in watchdog
LEDs	SYS, NET, USR, RSSI x 3
Reset Button	Reset/restore to factory default button
Ingress Protection	IP30
Housing & Weight	Aluminum, 200 g
Dimensions	82.8 mm x 93.3 mm x 28.8 mm
Installations	DIN-rail mounting
Operating Temperature	-40 °C to 75 °C
Operating Humidity	5% to 95% non-condensing

NETWORK	
Routing	Static routing
Dynamic Routing (Optional)	RIPv1/v2, OSPF, BGP
Network Protocols	TCP, UDP, IPv4, ICMP, NTP, DNS, HTTP, HTTPS, ARP, PPP, DHCP, IP Passthrough, VRRP
Connection Manager	Ping Detection, Timer Reboot, ICMP for link detection
Firewall	Flexible access control of TCP, UDP, ICMP packets, MAC address filter
DDNS	Supported some service providers, others can be configured manually
Modbus Slave (Optional)	Read device status via Modbus protocol
Modbus Master (Optional)	Able to read specified channels value from external Modbus slave and generate alarm
SMS	SMS Configuration, SMS Gateway, SMS Notification
VPN	
OpenVPN	OpenVPN server/client mode, client mode supports up to 5 x OpenVPN tunnels
GRE	Layer2 and Layer3, supports up to 5 x GRE VPN tunnels
IPsec	IKEv1, IKEv2, supports up to 5 x IPsec VPN tunnels
DMVPN (Optional)	Dynamic Multipoint Virtual Private Networking DMVPN
PPTP/L2TP (Optional)	PPTP or Point-to-Point Tunneling Protocol and L2TP or Layer 2 Tunneling Protocol (L2TP)

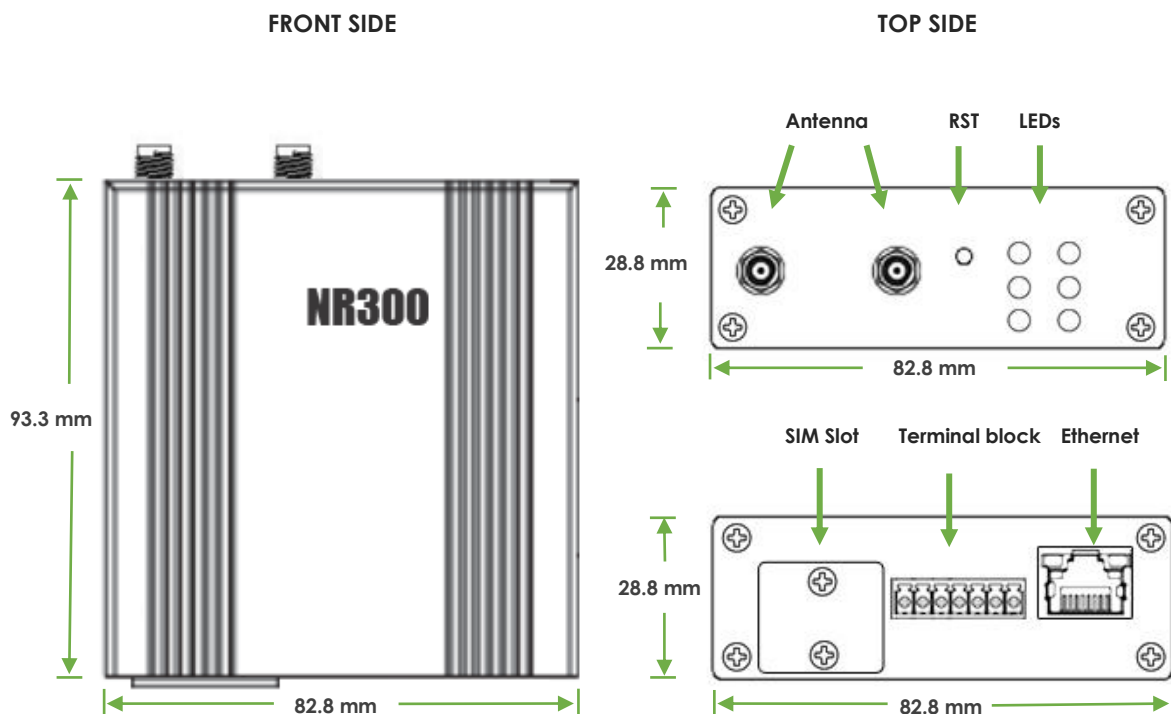
MONITORING & MANAGEMENT

Web GUI	HTTP/HTTPS, firmware upgrade
Command Line Interface	SSHv2 and TELNET
Management platform	Central Management Platform

APPROVAL

EMI	EN 55032:2012 Class B	
EMS	IEC 61000-4-2 ESD	Level 4
	IEC 61000-4-3 RS	Level 3
	IEC 61000-4-4 EFT	Level 3
	IEC 61000-4-5 Surge	Level 3
	IEC 61000-4-6 CS	Level 3
Vibration	EN50155	

DIMENSIONS



DIREKTRONIK

Direktronik AB tel. 08-52 400 700 www.direktronik.se

ORDERING INFORMATION

MODEL	PART NUMBER	DESCRIPTION
 NR300-4G	20101179	4G LTE, Dual SIMs, 1 x Eth, 1 x RS232 (3 PIN), 1 x RS485, 9 - 36VDC
OPTIONAL ACCESSORIES		
 Power Supply	20101172	Power Supply Adapter, EU Plug, Input 100 to 240VAC, Output 12V DC 1.5A
		Power Supply Adapter, AU Plug, Input 100 to 240VAC, Output 12V DC 1.5A
		Power Supply Adapter, US Plug, Input 100 to 240VAC, Output 12V DC 1.5A
		Power Supply Adapter, UK Plug, Input 100 to 240VAC, Output 12V DC 1.5A
 LTE Rubber Antenna	20101173	4G / 3G / 2G Rubber Antenna, 698-960 / 1710-2170 / 2500-2700 MHz, 2.5dbi, $\Phi 8 \times 108$ mm, AC
 LTE Magnet Antenna	20101174	Wi-Fi Magnet Antenna, 3 Meters, 2.4G - 2.483G, 5dbi, $\Phi 29 \times 220$ mm, AC
 Din-Rail	20101175	Din Rail Kit, 35 mm, Alumunium with Black Spray Surface, 50 * 40 * 8.5 mm, 3 * M3.5 Screw Holes

DIREKTRONIK

Direktronik AB tel. 08-52 400 700 www.direktronik.se