

REVISION INFORMATION			
Rec.	Rec. Date	Modified By	Brief Description

Overview

Bandwidth: 500MHz
 OD: 3.6mm
 Conductor: 28AWG
 Approvals: RoHS
 Connector: 50U" gold plated RJ45 connector

Physical Characteristics

- Cable Type – Cat6A UTP
- Connector Type(s) – RJ45
- Wiring Scheme – T568B
- Temperature Rating
 - Installation: 0°C~50°C
 - Operation: -20°C~60°C
- Voltage Rating – 30V

Conductor (Qty. 4 twisted pair)

- Conductor Type – 28AWG(7/0.12±0.008MM), Stranded BC
- Insulation – HDPE
- Diameter – 0.60±0.05mm
- Pair Identification:
 - Pair1=Orange, Orange-White
 - Pair2=Blue, Blue-White
 - Pair3=Green, Green-White
 - Pair4=Brown, Brown-White

Connector Type (Qty. 2)

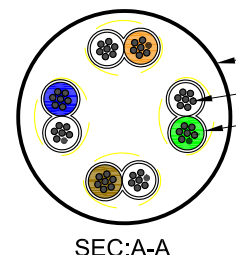
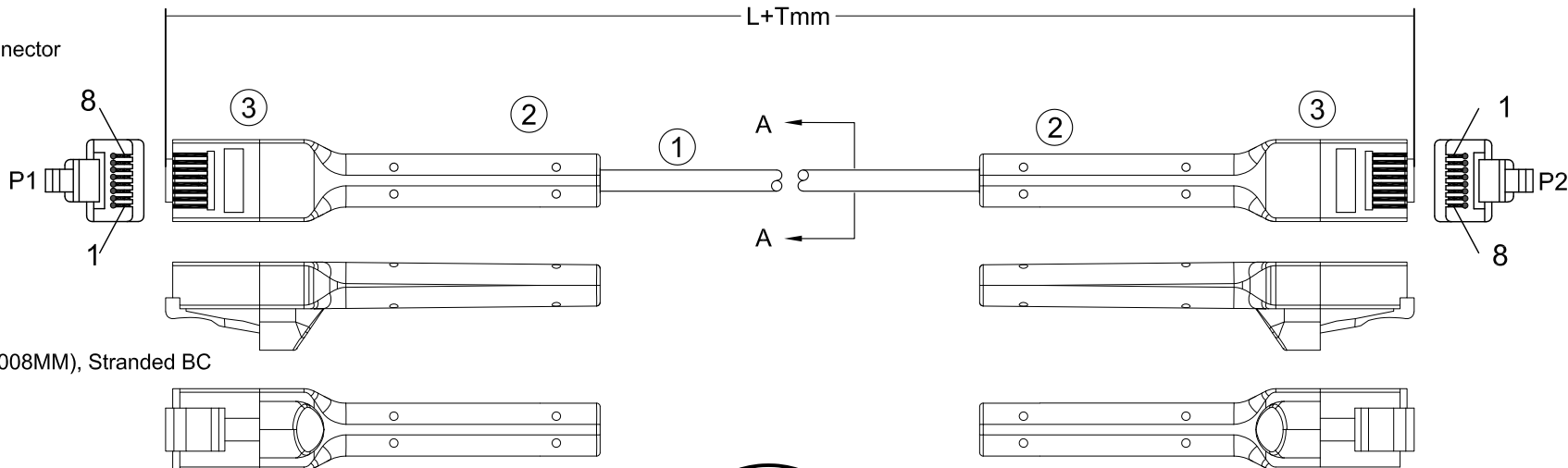
- Connector Type – 8P8C (RJ45)
- Gender – Male
- Connector Material – PC
- Contact Material – Copper Alloy, Gold Plating 50U"
- Hood Material – Molded TPE

Overall Cable

- Jacket – PVC
- Minimum Average Thickness – 0.60mm
- Outer Diameter – 3.6±0.15mm

Electrical Characteristics

- Conductor DC Resistance – 28.45Ω/100m (maximum)
- Impedance – 100Ω
- Capacitance – 5600pf/100m
- Propagation Delay – 545ns/100m (maximum)
- Delay Skew – 45ns/100m (maximum)
- Pass Fluke DSX 8000 Channel link Test



JACKET
 CONDUCTOR
 INSULATION

TOLERANCE:

LINEAT: X. =±1 .X =±0.2 .XX=±0.05	ANGULAR: X.° =±1° .X° =±0°30'
FILLET: R2=RAD.2mm R5=RAD.5mm XR=MAX RAD.	CHAMFER: C0.5=CHAM0.5mm C1=CHAM1mm

P1	P2 T568B
1 ——— 1	WHITE/ORANGE
2 ——— 2	ORANGE
3 ——— 3	WHITE/GREEN
4 ——— 4	BLUE
5 ——— 5	WHITE/BLUE
6 ——— 6	GREEN
7 ——— 7	WHITE/BROWN
8 ——— 8	BROWN

TOLERANCE GENERALES					
LENGTH(M)	0<L<1	1≤L<2	2≤L<5	5≤L<10	L≥10
LENGTH(FT)	0<L<3.28	3.28≤L<6.56	6.56≤L<16.4	16.4≤L<32.8	L≥32.8
TOLERANCE	+35/-15mm	+35/-20mm	+35/-30mm	±50mm	±80mm

3	RJ45 PLUG: 8P8C 50U" GOLD PLATED TWO-PIECE PLUG.
2	MOLDED: TPE MOLDED BOOT.
1	CABLE: CAT6A UTP 4P/28AWG(7/0.12±0.008BC) OD=Ø3.6±0.15MM PVC JACKET.
NO.	
BOM LIST	