

Dataprodukter utöver det vanliga

Overview

Bandwidth: 500MHz
 OD: 3.6mm
 Conductor: 28AWG
 Approvals: RoHS
 Connector: gold plated RJ45 connector

Physical Characteristics

- Cable Type – Cat6A UTP
- Connector Type(s) – RJ45
- Wiring Scheme – T568A or T568B
- Temperature Rating – -20°C to +75°C
- Voltage Rating – 30V

Conductor (Qty. 4 twisted pair)

- Conductor Type – 28AWG(7/0.12), Stranded Bare Copper
- Insulation – HDPE
- Diameter – 0.61±0.05mm
- Pair Identification:
 - Pair1=Orange, Orange-White
 - Pair2=Blue, Blue-White
 - Pair3=Green, Green-White
 - Pair4=Brown, Brown-White

Connector Type (Qty. 2)

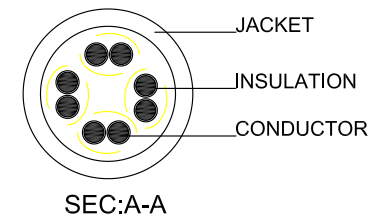
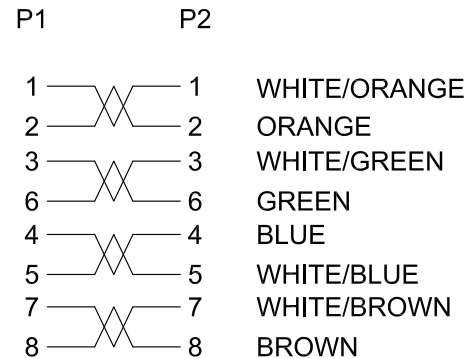
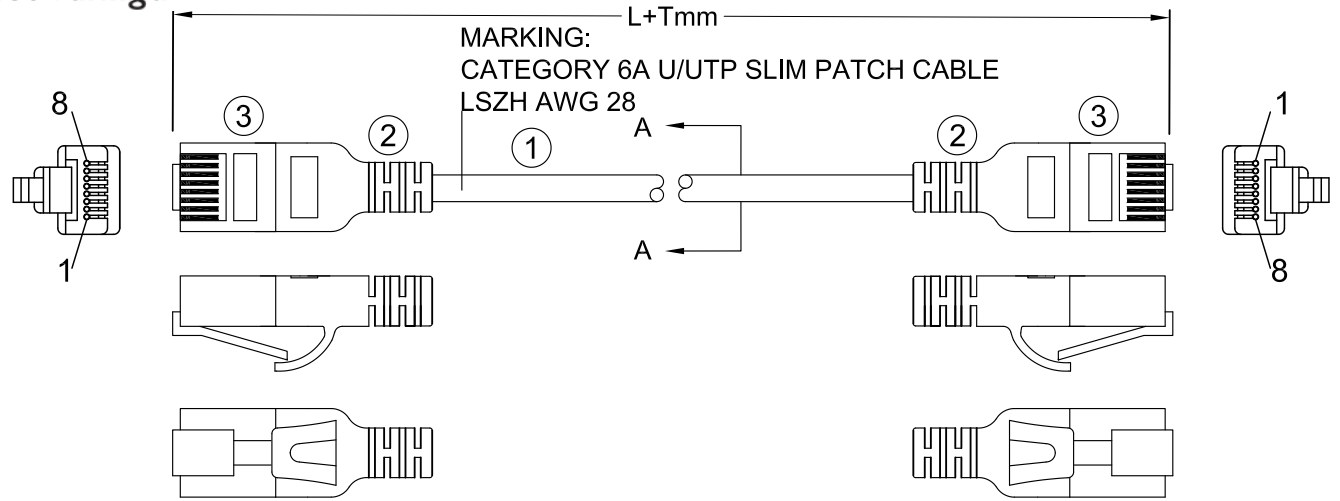
- Connector Type – 8P8C (RJ45)
- Gender – Male
- Connector Material – PC
- Contact Material – Copper Alloy, Gold Plating
- Hood Material – PVC MOLDED BOOT

Overall Cable

- Jacket – LSZH
- Minimum Average Thickness – 0.60mm
- Outer Diameter – 3.6 ± 0.15mm

Electrical Characteristics

- Conductor DC Resistance – 24.2Ω/100m (maximum)
- Impedance – 100Ω
- Capacitance – 5600pf/100m
- Propagation Delay – 545ns/100m (maximum)
- Delay Skew – 45ns/100m (maximum)



| | | |
|----------|---|------|
| 3 | RJ45 PLUG: 8P8C GOLD PLATED TWO-PIECE PLUG. | |
| 2 | MOLDED: PVC MOLDED BOOT. | |
| 1 | CABLE: CAT6A UTP 4P/28AWG(7/0.12±0.008BC) OD=Ø3.6±0.15MM LSZH JACKET. | |
| NO. | | Q'TY |
| BOM LIST | | |