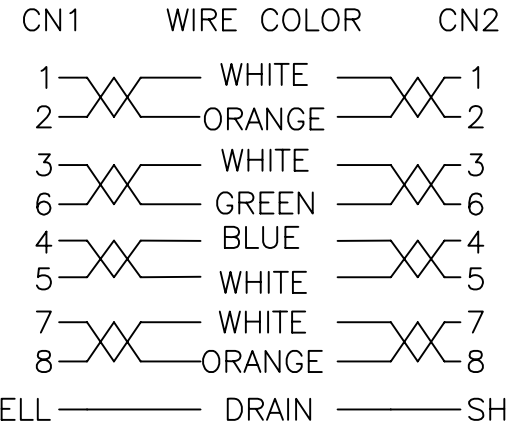


MATERIAL LIST:

NO.	PARTS NAME	SPECIFICATION DESCRIPTION
①	CABLE	SSTP (26AWG*1PR+A)*4+B+LSOH OD:5.8±0.2mm
②	RJ45 CONNECTOR	RJ45,8P8C,TWO FORK GOLD PLATED CONTACTS 3U WITH METAL HOUSING
③	MOLDING PVC	MOLDING PVC 45P

PIN OUT



DIREKTRONIK

Direktronik AB tel. 08-52 400 700 www.direktronik.se

REMARK	NO	CHA.NO	SIGNATURE	DATE	SIGN			W.T	SCALE	C6 SSTP patch cord, LSOH
DRAWN BY										
CHECKED BY									ITEM NO. (SECTION SHEET)	
AUDITED BY			APPROVED BY							
CRAFT			DATE		PAGE			OF		