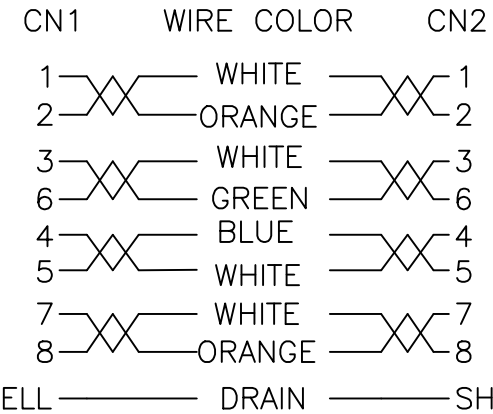


PIN OUT




MATERIAL LIST:

NO.	PARTS NAME	SPECIFICATION DESCRIPTION
①	CABLE	SSTP (26AWG*1PR+A)*4+B+LSOH OD:5.8±0.2mm
②	RJ45 CONNECTOR	RJ45,8P8C,TWO FORK GOLD PLATED CONTACTS 3U WITH METAL HOUSING
③	MOLDING PVC	MOLDING PVC 45P

ELECTRONIC TEST:

A.OPEN/SHORT/INTERMITTENCE: 100%.

REMARK NO	CHANG	SIGNATURE	DATE	SIGN	WT	SCALE
DRAWN BY						
CHECKED BY						
AUDITED BY		APPROVED BY				
CRAFT		DATE		PAGE	OF	



SSTP CAT6 26AWG

ITEM NO. (SECTION SHEET)