

Beställningsnummer: 20115567-72

Overview

Bandwidth: 500MHz
 OD: 6.8mm
 Conductor: 24AWG
 Approvals: RoHS
 Connector: 50U' gold plated RJ45 connector

Physical Characteristics

- Cable Type – Cat6A UTP
- Connector Type(s) – RJ45
- Wiring Scheme – T568B
- Temperature Rating – -40°C to +80°C
- Voltage Rating – 30V

Conductor (Qty. 4 twisted pair)

- Conductor Type – 24AWG(7/0.20±0.008mm), Stranded BC
- Insulation – HDPE
- Diameter – 0.95±0.05mm
- Pair Identification:
 - Pair1=Orange, Orange-White
 - Pair2=Blue, Blue-White
 - Pair3=Green, Green-White
 - Pair4=Brown, Brown-White

Connector Type (Qty. 2)

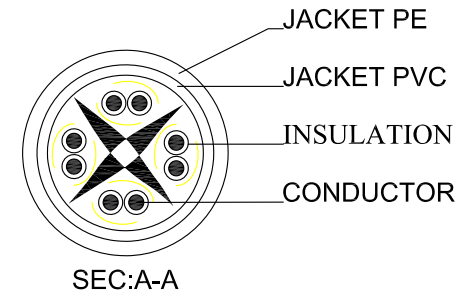
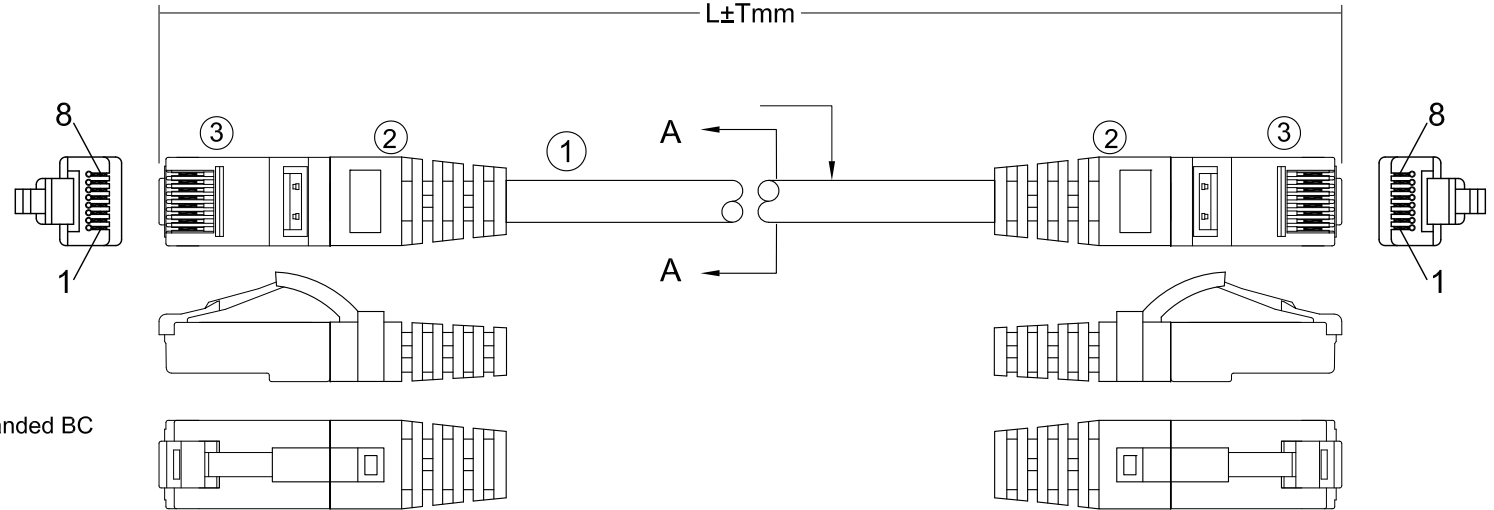
- Connector Type – 8P8C (RJ45)
- Gender – Male
- Connector Material – PC
- Contact Material – Copper Alloy, 50U' Gold Plating
- Hood Material - Molded PVC

Overall Cable

- Jacket –PVC+PE Compound Jacket
- Minimum Average Thickness – 0.60mm
- Outer Diameter – 6.8 ± 0.20mm

Electrical Characteristics

- Conductor DC Resistance – 9.58Ω/100m (maximum)
- Impedance – 100Ω
- Capacitance – 5600pf/100m
- Propagation Delay – 545ns/100m (maximum)
- Delay Skew – 45ns/100m (maximum)
- Pass Fluke DSX 8000 Channel Test (Randomly test)



P1	P2 T568B
1 ——— 1	WHITE/ORANGE
2 ——— 2	ORANGE
3 ——— 3	WHITE/GREEN
4 ——— 4	BLUE
5 ——— 5	WHITE/BLUE
6 ——— 6	GREEN
7 ——— 7	WHITE/BROWN
8 ——— 8	BROWN

ITEM NO:	Outdoor PE CAT.6A UTP Patch Cable	DRAWER DATE	LCJ 20200729
TITLE		CHECKED DATE	MTC 20200729
CUSTOMER		APPROVED DATE	
MATERIAL	SCALE		
REV.	A	UNIT	MM
DRAWING NO:	6AU0E680720HB 115--00729165		
ACAD FILE	E:\		



3	RJ45 PLUG: 8P8C 50U' GOLD PLATED TWO-PIECE PLUG.	
2	PVC MOLDED BOOT .	
1	CABLE: CAT6A UTP 4P/24AWG(7/0.20±0.008BC) OD=Ø6.8±0.20MM PVC+PE JACKET.	
NO.	SPECIFICATION	Q'TY
BOM LIST		