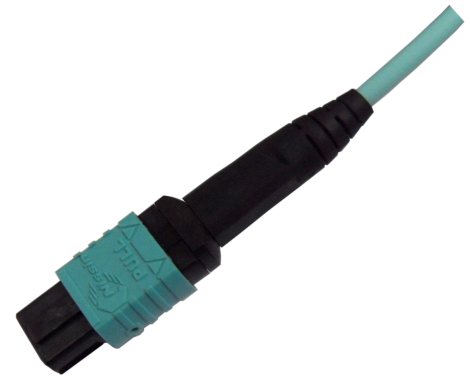


# MPO / MTP Optical Patch Cord

## Application

- Asynchronous Transmission Mode(ATM)
- Gigabit Ethernet
- Active Device/Transceiver Interface
- CATV, Video and Multimedia
- Premise Installations
- Telecommunication Networks
- Parallel optical interconnect between PC Cards and patch panels
- Interconnection for O/E modules
- Industrial & Military
- Optical Switch interframe connections



MPO

## Features

- Precision molded MT ferrule
- High precision guide pins for exact alignment
- Compact design, up to 24 fiber ribbons
- IEC 61754-7 Compliant
- Telcordia GR-1435-CORE Compliant



MTP

## Description

The single-mode and multimode MPO products are multifiber connectors used in high-density backplane and Printed Circuit Board(PCB) applications in data and telecommunications system. The MPO connector offers up to 12 times the density of standard connectors, providing significant space and cost savings.

MPO patchcord utilize precision molded MT ferrules, with metal guide pins and precise housing dimensions to ensure fiber alignment when mating. The MPO can be mass terminated in combination of 4,8,12 or 24 fiber ribbon cables. The MPO Adapter comes standard in black.

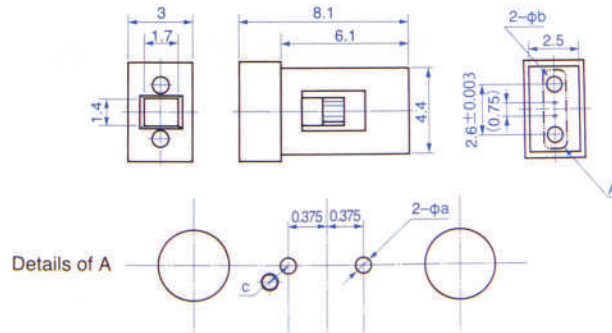
## Specifications

PARAMETERS	SINGLEMODE	MULIMODE
Insertion Loss	≤0.75dB	≤0.5dB
Return Loss	≥35dB (APC≥50dB)	≥25dB
Operating Temperature	-40°C~+85°C	-40°C~+85°C



mini MT

mini MT Ferrule	a	b	c	
Type	Fiber Hole Diameter (mm)	Gvide Pin Hole Diameter (mm)	Eccentricity (mm)	Material
2MT (MM)	0.127 ±0.001	0.7 ±0.001	<0.0025	PPS
2MT (SM)	0.126 ±0.0005	0.7 +0/-0.001	<0.0014	PPS



4MT



8MT



12MT



24MT

MT Ferrule	a	b	c	
Type	Fiber Hole Diameter (mm)	Gvide Pin Hole Diameter (mm)	Eccentricity (mm)	Material
4MT (SM)	0.126 ±0.0005	0.7 +0/-0.001	<0.0014	EPOXY
8MT (SM)	0.125 +0.001/-0	0.7 +0/-0.001	<0.0014	PPS
8MT (SML/L)	0.125 +0.0005/-0	0.6990 +0.0005/-0	<0.0007	PPS
12MT (MM)	0.127 ±0.001	0.7 ±0.001	<0.0025	PPS
12MT (MML/L)	0.126 +0.001/-0	0.7 +0/-0.001	<0.0014	PPS
12MT (SM)	0.125 +0.001/-0	0.7 +0/-0.001	<0.0014	PPS
12MT (SML/L)	0.125 +0.0005/-0	0.6990 +0.0005/-0	<0.0007	PPS
24MT (MM)	0.127 ±0.001	0.7 ±0.001	<0.0025	PPS
24MT (SM)	0.125 +0.001/-0	0.7 +0/-0.001	<0.0014	PPS

