

IP67 AC/DC ADAPTER

1. INPUT :

- 1.1 Input Voltage: AC100V to 240V
1.2 Input Current: 1.25A at 120VAc @F.L
0.55A at 230VAc @F.L
1.3 Input Frequency : 47 ~ 63hz
1.4 Inrush Current : 30A Max at 120Vac & 60A Max at 230Vac
1.5 Power Factor: >0.95(at F.L)



2. OUTPUT :

2.1 Output Voltage & Current:

Model No.	TBD	20100907	TBD	TBD	TBD	20100906	TBD	20100908	TBD
OUTPUT	14.4V	12V	13.2V	18V	19V	24V	28V	48V	56V
Max. load	6.95A	8.33A	7.57A	5.55A	5.26A	4.16A	3.57A	2.08A	1.78A
Power	100W	100W	100W	100W	100W	100W	100W	100W	100W
Min. Load	0A	0A	0A	0A	0A	0A	0A	0A	0A
Load reg. %	1%	1%	1%	1%	1%	1%	1%	1%	1%
Line reg. %	1%	1%	1%	1%	1%	1%	1%	1%	1%
Ripple %	1%	1%	1%	1%	1%	1%	1%	1%	1%
Noise %	1%	1%	1%	5%	5%	5%	5%	3%	3%

Note 1: Ripple & Noise bandwidth is from DC to 20Mhz. Terminated With a 47uF Capacitor and 0.1uf MPE Capacitor of Proper Polarity.

3. EFFICIENCY : 84% Min. at 90V AC input @F.L
87.5% Min at 230 Ac input@ F.L

4. PROTECTION

4.1 Short Circuit Protection

output Short GND Terminal will not damage the Power Supply will Auto-Restarted.

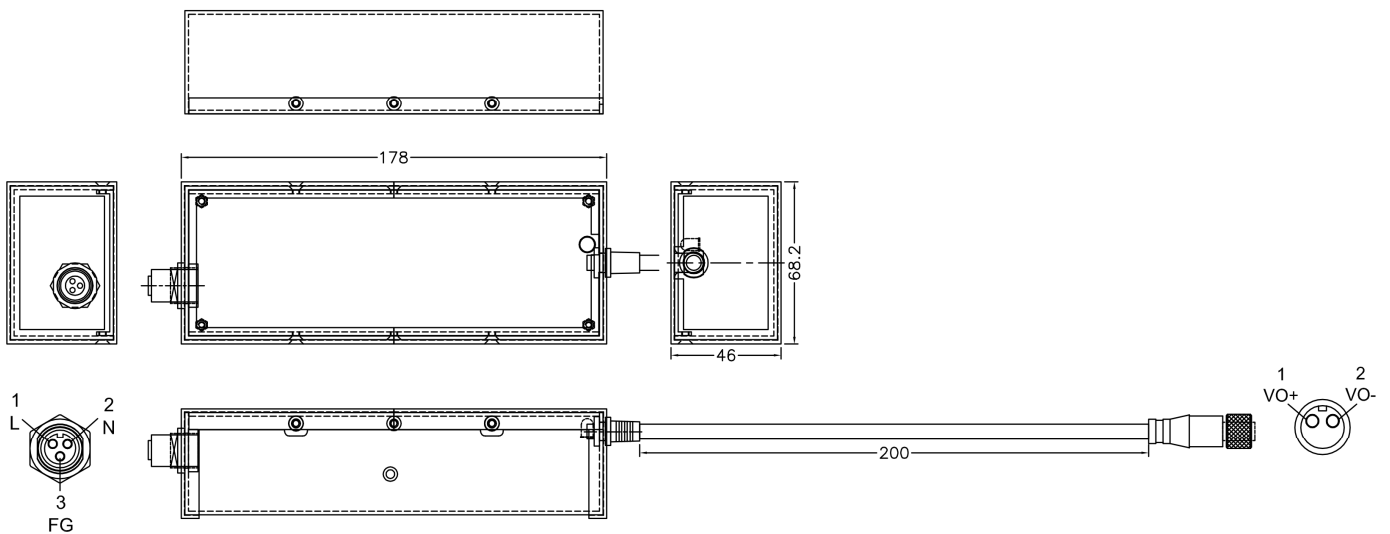
4.2 Over Voltage Protection :

+12V at 13.5V – 14.0V will turn—off
+13.2V at 14.5V - 15V will turn—off
+14.4V at 15.5V - 16V will turn—off
+18V at 21V - 23V will turn—off
+19V at 22V -24V will turn—off
+24V at 27V - 29V will turn—off
+28V at 31V - 34V will turn—off
+48V at 51V - 53V will turn—off
+56V at 58V - 60V will turn—off

4.3 Over Current : 110% ~ 150%

5. GENERAL DESCRIPTION

- 5.1 Operation Temperature: -40 - +70 Degree
5.2 Storage Temperature: -40 - +85 Degree
5.3 Operation Humidity: 5% - 100%
5.4 Cooling: Air cooling
5.5 SIZE 178*68*46 (L*D*H)(CASE) unit: m/m
5.6 Enclosure material : Metal



6. SAFETY STANDARD :

Meet UL1950, CSA 22.2 &TUV EN60950-1

7. EMI STANDARD :

Meet FCC Class B, CISPR 22 Class B, EN55022 Class B

8. De-rating Curve:

