

Best.nr: 20100832

Network Lightning/Surge Protector PoE Compatible

Feature

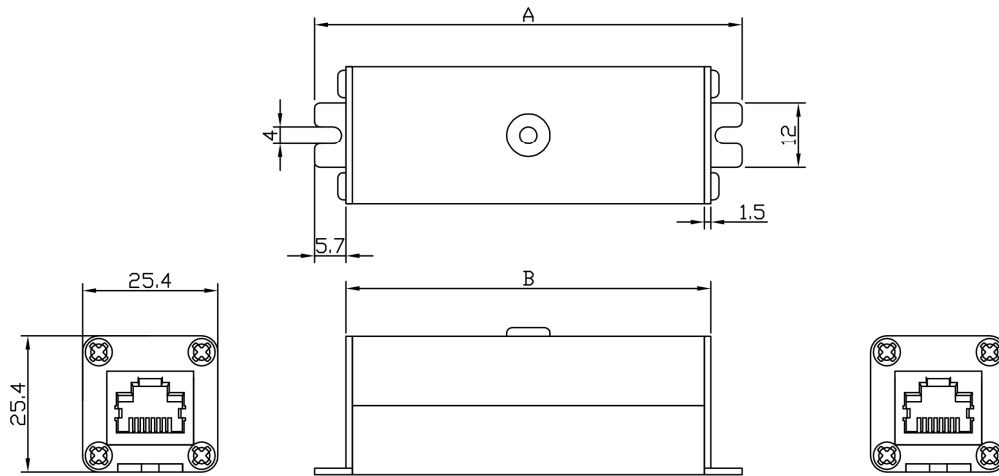
- + **Shielded RJ45 jack and metal housing for EMI noise suppression**
- + **CAT5/CAT5e compatible**
- + **Gigabit Ethernet available**
- + **Cast aluminum construction**
- + **Integrated mounting brackets**
- + **DIN rail mount available (Option Kit)**
- + **802.3af/at/bt/PoH compliant**
- + **AC/DC, DC/DC PoE available**



Specification

1. Nominal voltage operating DC voltage 56 V
2. Max. continuous operating DC voltage 58V
3. Max. continuous DC voltage pair-pair (PoE) 58V
4. Nominal current 1.25 A(Each pair of lines)
5. Nominal discharge current line-line 15A (8/20 μ s)
6. Nominal discharge current line-FG 100A (10/1000 μ s,300times with 3mins interval)
7. Total nominal discharge current line-FG 10KA (8/20 μ s,10times with 3mins interval)
8. Voltage protection level line- FG for In DC Breakdown Voltage: 75V ~ 100V (@rising voltage 100V/s)
9. Voltage protection level line- line for In DC Breakdown Voltage: 26V ~ 550V (@rising voltage 100V/s)
10. Voltage protection level line-FG for In Surge Breakdown Voltage: 98V ~ 550V (@rising voltage 1000V/uS)
11. Voltage protection level line-line for POE In Maximum Breakdown Voltage : 6V ~ 13V @IPP = 1~10A(8/20uS)
12. Capacitance line-line ≤ 0.3 PF(SP3312T)
13. Capacitance line-FG ≤ 3 PF(BL075M-CA5)

- 14. Operating temperature range -40°C to +85°C
- 15. Connection (input / output) RJ45 socket
- 16. Pinning 1 / 2, 3 / 6, 4 / 5, 7 / 8
- 17. Data Rate : 10/10/1000/5000 Mbps
- 18. Ground Lug Wire : 14AWG 350mm ± 5mm
- 19. Weight : 78g
- 20. Dimensions : 95*25.4*25.4(include bracket)



A=95mm, B=83mm

Option: DIN rail mounting kit

- step 1: screw metal stand to clip
- step 2: screw surge protector to metal stand
- step 3: clip on the set to rail

