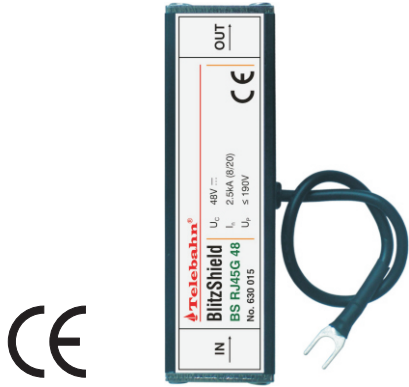
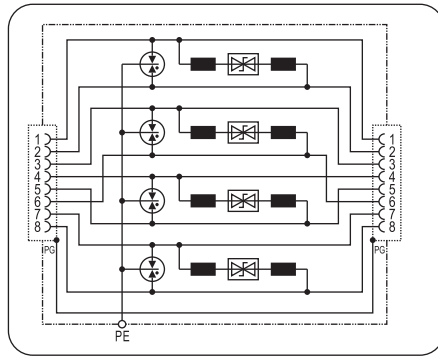


BS RJ45G 48



Basic circuit diagram:



• Technical data

Type		BS RJ45G 48
Art.-No.		20111343
Nominal voltage	U_N	48V-
Rated voltage (max. continuous voltage)	U_C	48V- / 34V ~
Max. continuous voltage (PoE)	U_C	57V-
Nominal current	I_N	1A
Nominal discharge current (8/20)	I_n	0.15kA (line-line) 2.5kA (line-PG)
Total nominal discharge current (8/20)	I_n	10kA
Nominal discharge current (8/20) (PoE)	I_n	0.15kA (pair-pair)
Voltage protection level at I_n	U_p	≤ 190V (line-line) ≤ 600V (line-PG)
Voltage protection level at I_n (PoE)	U_p	≤ 600V (line-line)
Transmission frequency	f_G	500MHz
Data transmission rates	V_S	1000MBit/s
Insertion loss at 250MHz	a_e	≤ 2dB
Capacitance	C	≤ 165pF (line-line) ≤ 255pF (line-PG)
Operating temperature range		-40°C...+80°C
Connection		RJ45 shield (input / output)
Earthing via		Outgoing cable 1.5mm ² x 300mm
Shield earthing		Indirectly via integrated spark gap
Enclosure material		Aluminum
Test standards		IEC 61643-21; GB 18802.21; YD/T 1542
Certification		CE (LVD, EMC)

Lightning and Surge Protection

• Product introduction

1. Summary

BS RJ45G 48 is for installation at LZF 0_B-2 and higher interface or directly installed near the equipment; according to IEC standard for CAT 6 or Class E integrated wiring system; all the industrial Ethernet 10M, 100M, 1Gbit network surge protection. Applicable to IEEE 802.3at.

2. Main character

- For protecting computer data transmission system, network system and so on
- Good discharge capacity, low voltage protection level
- Quick response, high transmission speed, low signal attenuation
- RJ45 connection, easy for installation

3. Application

BS RJ45G 48 is applied in offices and industries like Gigabit Ethernet, ATM or ISDN system, and like VoIP or PoE system can be protected. (e.g. Switch, router, HUB, modem and so on)

4. Application environment

- Temperature: -40°C ~ +80°C
- Relative humidity: ≤ 95% (25°C)

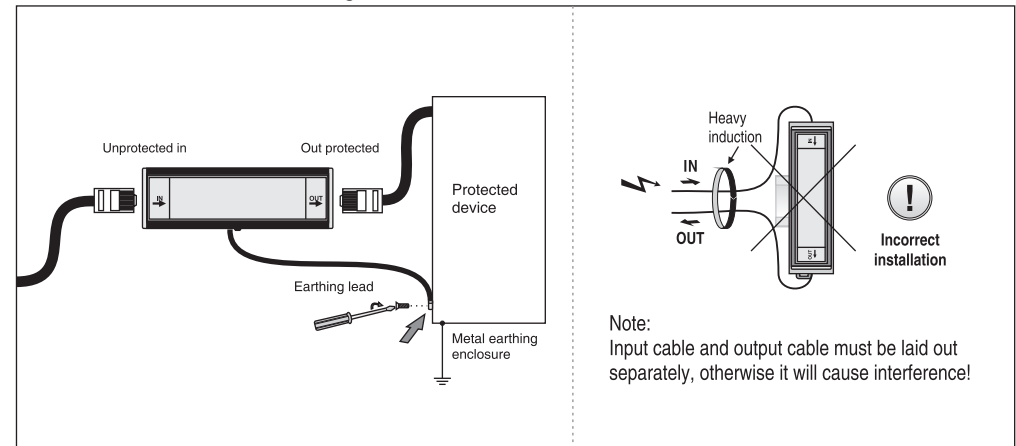
• Installation instruction

1. This product is connected in series to the protected device.
2. The OUT terminal should be connected to the protected devices.
3. SPD's earthing terminal must be connected to nearby earthing BusBar or the metal earthing enclosure of the protected device.
4. After above, you should ensure the circuit is functioning.

Regularly inspect the operating status, especially after lightning.

Once the communication is off, electrician should check/replace the SPD.

BS RJ45G 48 installation diagram :



Note:
Input cable and output cable must be laid out separately, otherwise it will cause interference!

	WARNING:
	<ol style="list-style-type: none"> 1. The device must be installed by electrically skilled person, conforming to national standards and safety regulations. 2. It is recommended that installation should be done under power off condition.