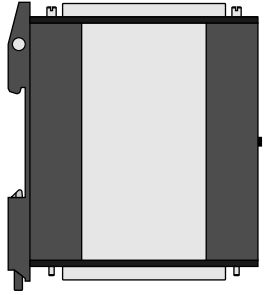
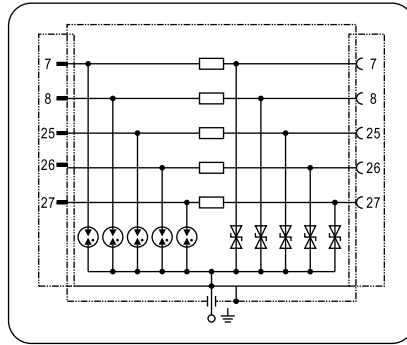


BlitzShield **DIREKTRONIK** SPD

Basic circuit diagram:



• Technical data

Type		
Art.-No.		640 037
Nominal voltage	U_n	48V-
Rated voltage (max. continuous voltage)	U_c	55V-
Nominal discharge current (8/20)	I_n	3kA (line/PG)
Max. discharge current (8/20)	I_{max}	5kA (line/PG)
Voltage protection level at I_n	U_p	$\leq 120V$ (line/PG)
Response time	t_A	$\leq 1ns$ (line/PG)
Max. data transmission rates	V_s	1Mbits/s
Operating temperature range		-40°C...+80°C
Protection lines		Line: 7/8/25/26/27; PG: 12/20/30
Protection lines		Line: 7/8/25/26/27 (standby lines disconnected)
Mounting on		D-sub or 35mm DIN rail
Connection (input / output)		D-sub socket/plug, 37 pins
Shield earthing		Outgoing cable 1.5mm ² x 300mm
Enclosure material		Aluminum
Dimension		92mm x 81mm x 29mm
Test standards		IEC 61643-21; GB 18802.21; YD/T 1542
Certification		CE(LVD,EMC)

• Product introduction

1. Summary

BS RS 37P for use at LPZ 2-3 boundary, provide surge protection for RS485, RS422 or RS432 signal devices form damages, such as surge voltages, operating over voltages, electrostatic discharging and so on.

Designed according to IEC 61643-21; GB 18802.21; YD/T 1542.

2. Main character

- High discharge capacity, low voltage protection level, quick response
- Does not impact the normal work of data management devices and system
- Apply for high speed transmission devices

3. Application

BS RS 37P is designed to protect D-sub signal system; e.g. RS485, RS422 or Rs432 signal devices from damages.

4. Application environment

- Temperature: -40°C ~ +80°C
- Relative humidity: $\leq 95\%$ (25°C)

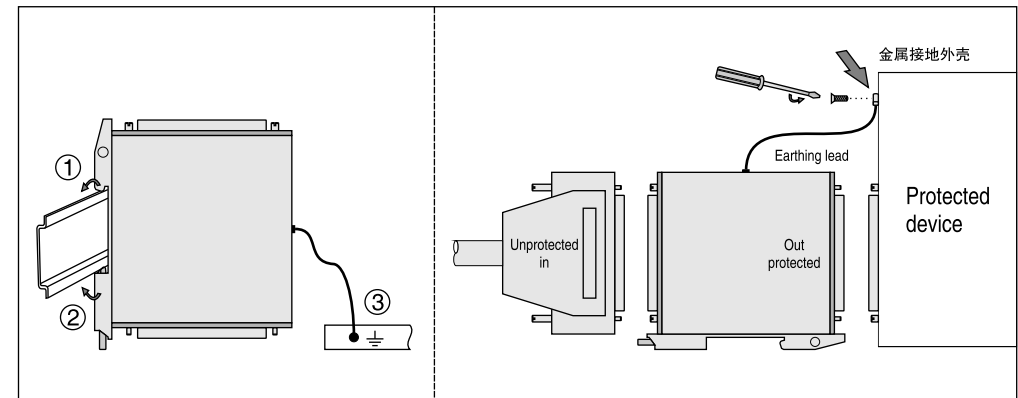
• Installation instruction

1. This product is connected in series to the protected device.
2. On the 35mm DIN rail.
3. The out terminal should be connected to the protected devices.
4. SPD's earthing lead must be connected to nearby earthing BusBar or the metal earthing enclosure of protected device.
5. After above, you should ensure the circuit is functioning.

Regularly inspect the operating status, especially after lightning.

Once the communication is off, electrician should check/replace the SPD.

BS RS 37P installation diagram :



WARNING:

1. The device must be installed by electrically skilled person, conforming to national standards and safety regulations.
2. It is recommended that installation should be done under power off condition.