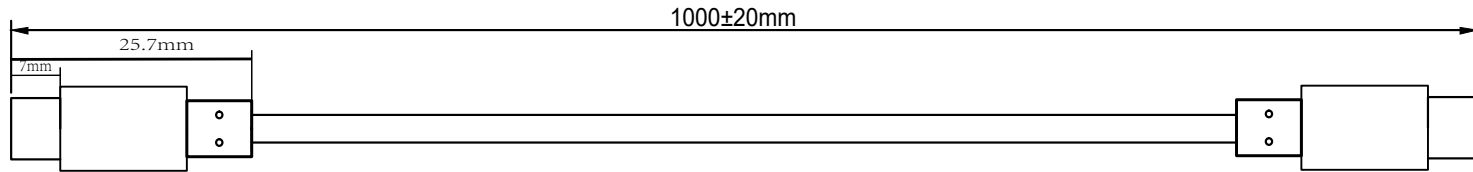


RoHS-COMPLIANT

REV.	LTR	ECN/DESCRIPTION	DATE
1.0		NEW RELEASE	2015/10/29

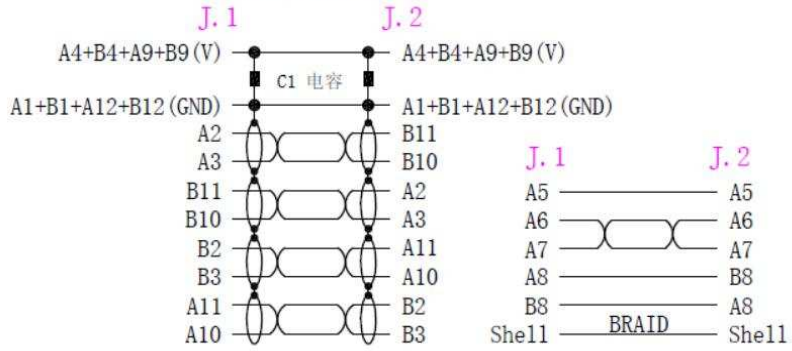


P1

P2

With E-mark IC Support 100W 5A GEN2

WIRING DIAGRAM



NO	NAME	PCS	A/R
5	OUTER MOLD	1	80P PVC
4	INNER MOLD	1	PE
3	CONNECTOR	1	TYPE C male
2	CONNECTOR	1	TYPE C male WITH E-MARK Chipset
1	CABLE	1	(1P*1/0.20BC+D+AL)*4+11/0.16TC*2C+1/0.20BC*6C+AL+1/0.20BC Dian+16/5/0.08TC OD:4.5 PVC Black

CUSTOMER:	
SCALE:	FREE
UNIT:	mm
SHEET:	1/2
REV:	. 00

**DIREKTRONIK**  
Dataprodukter utöver det vanliga