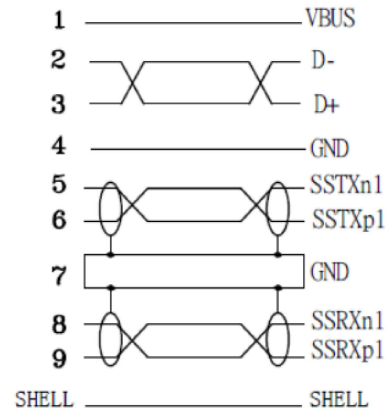
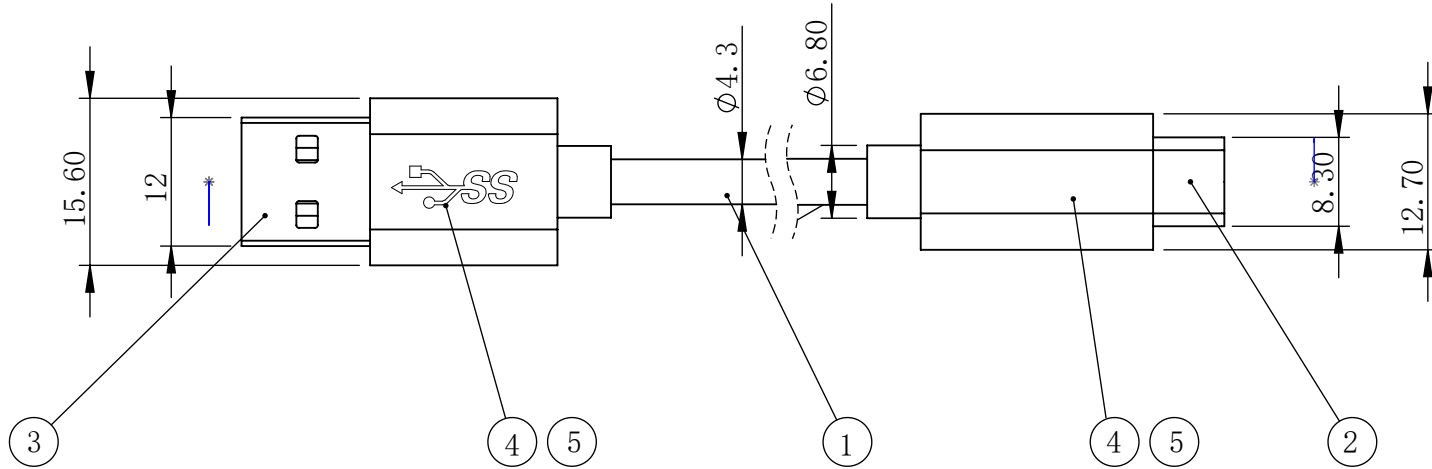


RoHS-COMPLIANT

REV.	LTR	ECN/DESCRIPTION	DATE
1.0		NEW RELEASE	2015/10/29

P1

P2



NO	NAME	PCS	A/R	CUSTOMER:
5	OUTER MOLD	80P PVC	1	
4	INNER MOLD	PE	1	
3	CONNECTOR	USB 3.0 male	1	
2	CONNECTOR	TYPE C male	1	
1	CABLE	30#*2P+AL+30#*2C+22#*2C+1/0.25BCS+AL+48/0.12M OD: 4.3mm	1	
				SCALE: FREE
				UNIT: mm
				SHEET: 1/2
				REV: .00

**DIREKTRONIK**  
Dataprodukter utöver det vanliga