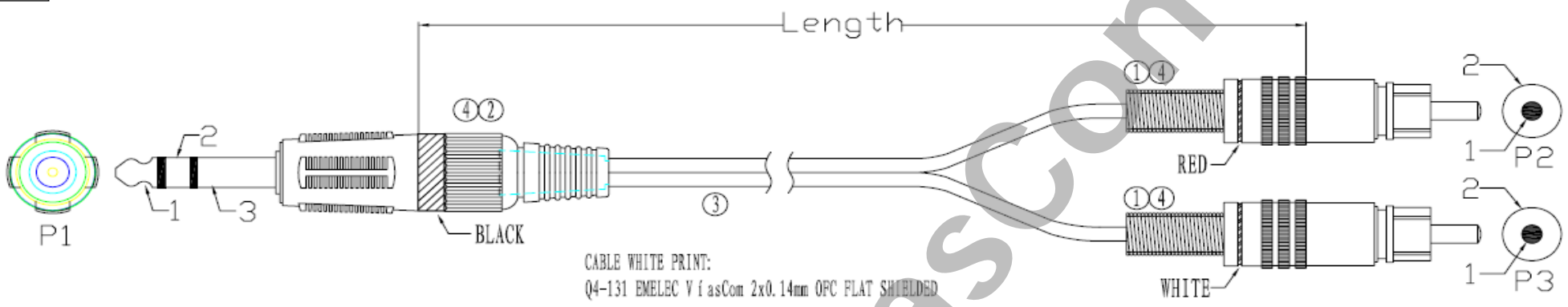
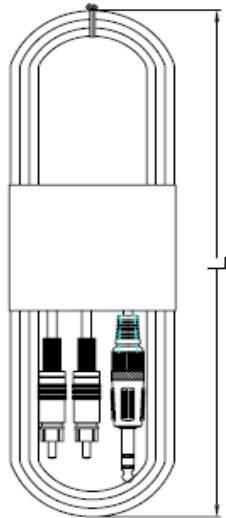


UNIT: mm



CABLE WHITE PRINT:
Q4-131 EMELEC VíasCom 2x0.14mm OFC FLAT SHIELDED

EMELEC P/N	Length (mm)	COLOR BOX (mm)	WINDING L
EQ650500S	1500 ± 30	90*60*10	260 ± 20mm
EQ650503S	3000 ± 30	90*60*10	280 ± 20mm
EQ650505S	5000 ± 50	120*90*12	300 ± 20mm
EQ650510S	10000 ± 80	120*90*12	320 ± 20mm



PIN ASSIGNMENT		
P1	P2 (RED)	P3 (WHITE)
1	1 RED	
2		1 WHITE
3	2	2 DRAIN

- NOTE:
1. Open/Short test: 100%;
 2. Conductor Resistance: 3 ohm;
 3. Insulation Resistance: 10M ohm;
 4. Hi-Pot: 400V/DC;

NO.	NAME	Q'TY	SPECIFICATION
④	TUBE	7	CLEAR OD: 3.0mm L=10 ± 2mm
③	CABLE	1	Q4-131 BLACK 0.14mm [(18/0.1BC)/1C+(40/0.1BC)/S]*2F OD: 3.8*7.6mm
②	CONN	1	JACK6.3 STEREO. X-Series SOLIDER TYPE WITH BLACK RING (EQ9016/B)
①	CONN	1+1	MALE RCA CABLE CONNECTOR SOLIDER TYPE WITH RED AND WHITE RING (EQ9026/BR-BW)

EMELEC VíasCom, S.A.			
DRAWN BY	LYNDON	DARWING NO.	VG/LJQ-006-017
CHECKED BY		CUSTOMER	
APPROVAL BY		ITEM NO.	EQ6505XXS
DECIDE BY		DATE	2013. 03. 28
VERSIONS/EDITION	A/1	PROJECTION	