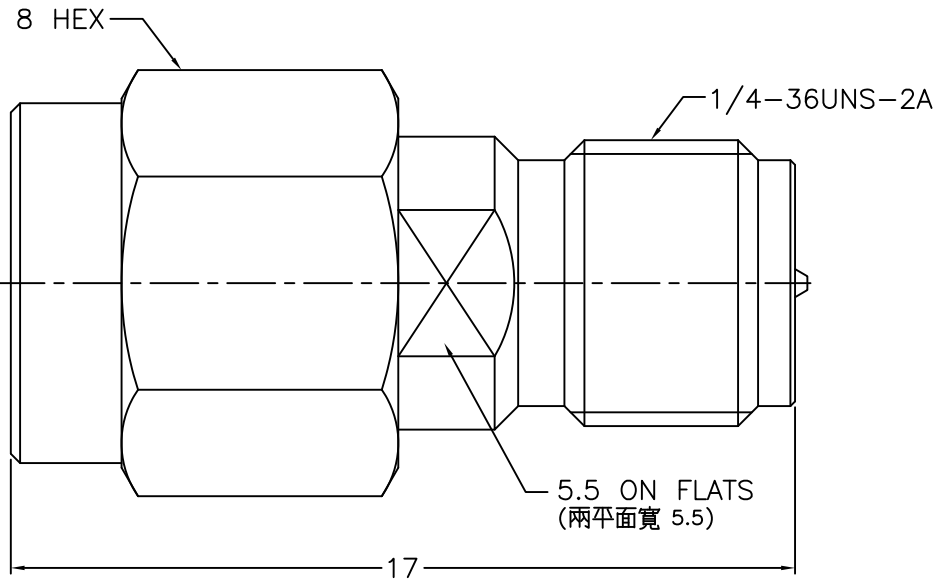


DIREKTRONIK



NOTES: FINISH (PLATING THICKNESS IN MICRO-INCHES)

1. BRASS
2. THIN GOLD OVER NICKEL PL. 50 MIN. THICK OVER COPPER PL. 50 MIN. THICK
3. GOLD PL. 3 MIN. THICK OVER NICKEL PL. 50 MIN. THICK OVER COPPER PL. 50 MIN. THICK
4. TEFLON

REVISIONS						DIMENSIONS ARE IN MILLIMETERS				PART NO.		TITLE	
ISS	ZONE	DESCRIPTION\PER REQUEST\DATE				UNLESS OTHERWISE SPECIFIED TOLERANCES				20115460		SMA PLUG TO SMA REVERSE POLARITY JACK ADAPTOR	
						0.5-6 = ±0.2				APPROVED	DATE	DRAWING NO.	
						6-30 = ±0.4					06-05-'13	100-SMAM-RSMAM-50	
						30-120 = ±0.6				CHECKED	DATE	FILE NO.	
						120-315 = ±1					06-05-'13	R:\D\G\DWG\100\SMAM-RSMAM\50	
						315-1000 = ±1.6				DRAWN	DATE		
						1000-2000 = ±2.4					06-05-'13		
NO.	DESCRIPTION	MATERIAL	FINISH	Q'TY	DRAWING NO.	SCALE	6/1	ISSUE	A				

6	CONTACT PIN	NOTE 1	NOTE 3	1	100-SMAM-RSMAM-6
5	GASKET	SILICONE	RED	1	GS-43-60-06
4	RETAINER RING	SUS303	NATURAL	1	1436-1000-4
3	INSULATOR	NOTE 4	NATURAL	2	1436-5071A1-3T
2	BODY	NOTE 1	NOTE 2	1	1436-5071A1-2
1	SHELL	NOTE 1	NOTE 2	1	1436-1000-1