

MOUNTING INSTRUCTIONS

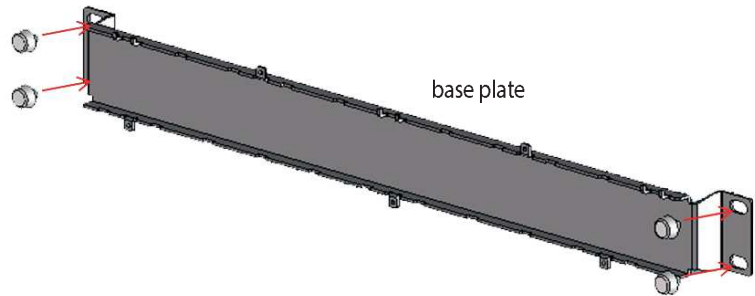
DIREKTRONIK

Direktronik AB tel. 08-52 400 700 www.direktronik.se

19" Holding Panel for 24 x

Step 1:

Unmount the coupler holding panel from the base plate. Fix the base plate to the 19" level or to a wall.



Attention:

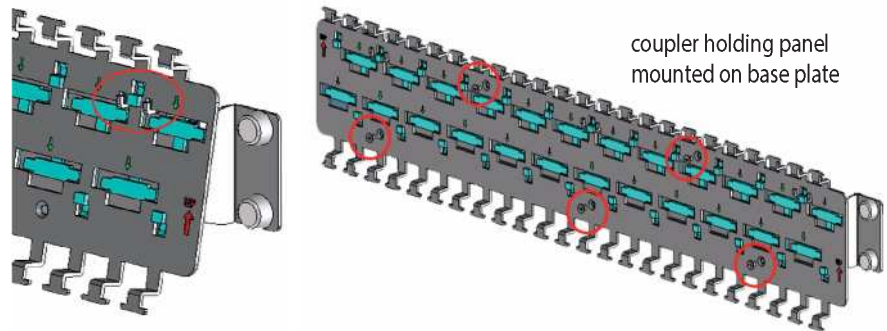
Note the orientation of marking „UP“ !

Step 2:

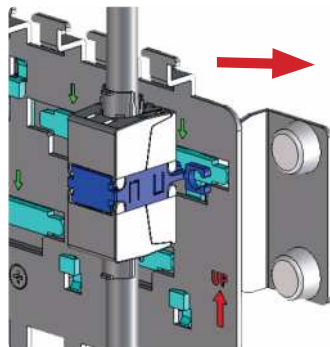
Mount the coupler holding panel on the base plate with included screws 5 x M3.

Attention:

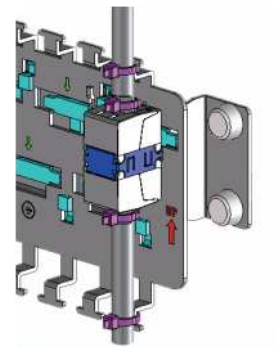
Note the orientation of marking „UP“ !



Step 3:

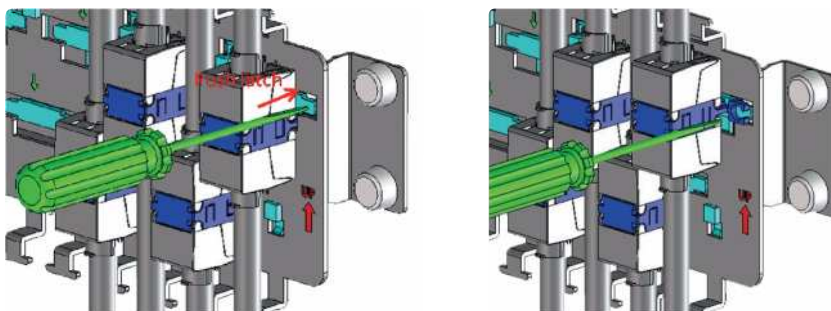


Put the coupler in the provided opening. Slide it down until the plastic latch locks.

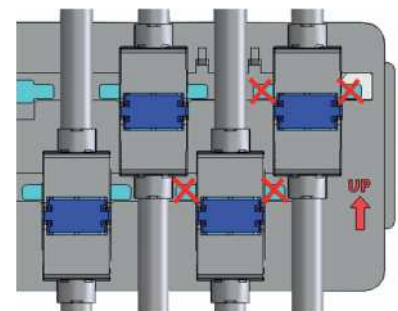


Secure the coupler housing and shield contact via cable tie. Fix the cable to the strain relief via cable tie.

Removing the coupler from the holding panel:



Push the plastic latch with a screwdriver to inside and slide the coupler on the corresponding side upwards.



Perform this procedure at both sides of each coupler (X).