

DIREKTRONIK



Opal XL Motion Detector

The Opal external PIR detector is IP55 rated with a 10 to 35 metre detection range. It is an inconspicuous and extremely popular external passive infra-red detector that works in conjunction with GJD's security lighting controllers.

When used with the GJD range of security lighting controllers, 24 hour indication and movement activated lighting for a timed period is automatically provided.

PRODUCT CODES

GJD020 Opal XL Motion Detector

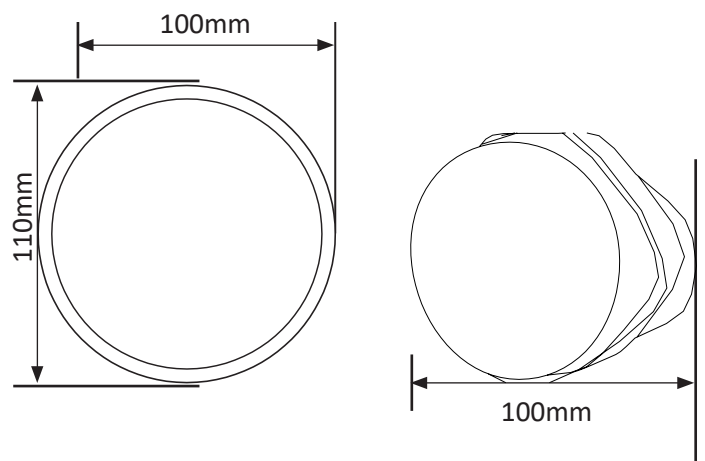
UNIQUE FEATURES

Works with GJD security lighting controllers
UV stabilised lens cover
Adjustable pan and tilt
High impact ABS housing
Pet immunity option
Internal fully adjustable bracket

END USER BENEFITS

IP55 rated
Covert detection
Energy efficient
24 hour protection
Range selectable
Aesthetic design

DIMENSIONS & WEIGHT



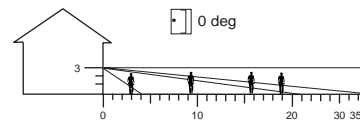
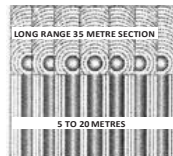
Range	Adjustable up to 35m
Coverage	90° detection angle, 35m x 30m coverage max.
Adjustment	180° pan & 90° tilt
Mounting Height	Variable up to 6m - optimum 3m
Fresnel Lens	36 zone, which can be masked with special masking tape (supplied)
Outputs	"A" Open collector -ve switching - 25mA max. Alarm period 400ms 'S' Open collector -ve switching - 25mA max. Alarm period: detection +60 sec
Power Input	9 to 15 VDC
Current	6mA (12V nominal)
Lux Level Adjustable	Dusk (2 Lux) to 24 hour
Operating Temp	-20°C to +55°C. Conformally coated electronics for increased stability
Housing	High Impact ABS Housing
Protection Rating	IP55



BEAM PATTERNS

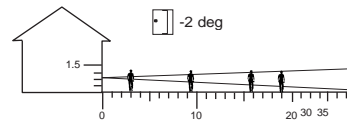
MULTI-BEAM OPTIMUM

HEIGHT 3 METRES
 RANGE MAXIMUM
 MODULE TILT 0 DEGREE



PET IMMUNITY

HEIGHT 1.5 METRES
 RANGE MAXIMUM
 MODULE TILT -2 DEGREE



CURTAIN COVERAGE

HEIGHT 6 METRES
 RANGE MAXIMUM
 MODULE TILT 45 DEGREE

