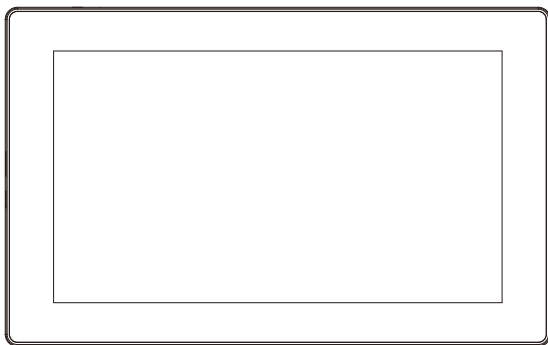


Installation and Operation manual

For TCP/IP with 280 system



Indoor Monitor

■ Remark

Please follow the user manual for correct installation and testing. If there is any doubt please call our tech-supporting and customer center.

Our company applies ourselves to reformation and innovation of our products. No extra notice for any change. The illustration shown here is only for reference. If there is any difference, please take the actual product as the standard.

The product and batteries must be handled separately from household waste. When the product reaches the end of service life and needs to be discarded, please contact the local administrative department and put it in the designated collection points in order to avoid the damage to the environment and human health caused by any disposal. We encourage recycling and reusing the material resources.

CATALOG

Product Features.....	1
Technical Parameters.....	1
Pictures.....	2
Operations.....	9
1. Security.....	10
2. Smart	16
3. Intercom	19
4. Message	22
5. Setup.....	22
Web Settings	25
System Configuration	27
System Diagram	28
Installation.....	30
Troubleshooting	37
Safety Instructions	38

Product Features

1. Building intercom application:

Talkback: Support video call, monitoring, unlocking and checking of call records.

Security: Support 8 alarm zones with three states, zone and scene setup.

Smart: Support smart home extension by RS485 communication(Optional).

2. Operating system: Linux.

Technical Parameters

Voltage: DC 12V

POE(S0/S8/S4/S6/S3/I8/I7/I7A)

Rated power: 9W

12W(M-S0, Switch (with Dual RJ45 Ports))

Standby power consumption: 1.5W

3.0W(M-S0, Switch (with Dual RJ45 Ports))

Display screen: 4.3" / 7"/10.1"

Touch screen: Capacitive / Resistive touch screen

Resolution: 4.3": 480x272

7": 800x480

7": 1024x600

10.1": 1024x600

Operating temperature: -10°C~+55°C

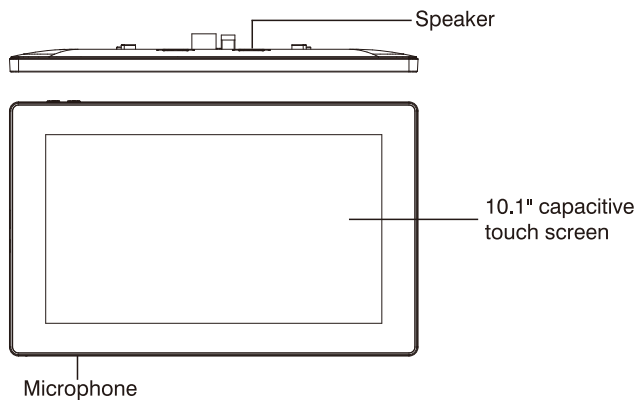
Storage temperature: -10°C~+60°C

Storage Relative humidity: 20%~85%

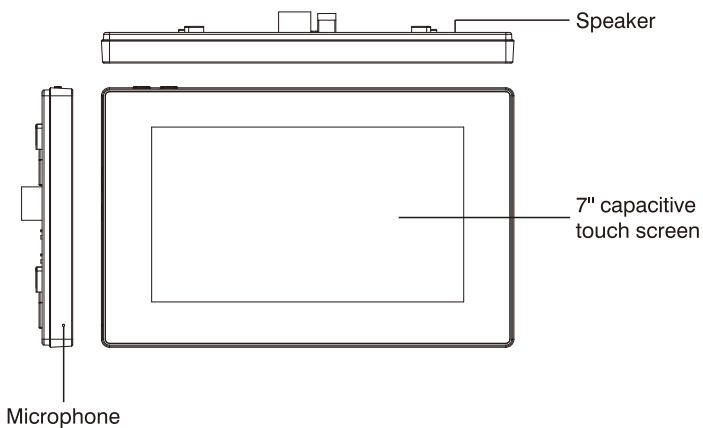
IP grade: IP30

Pictures

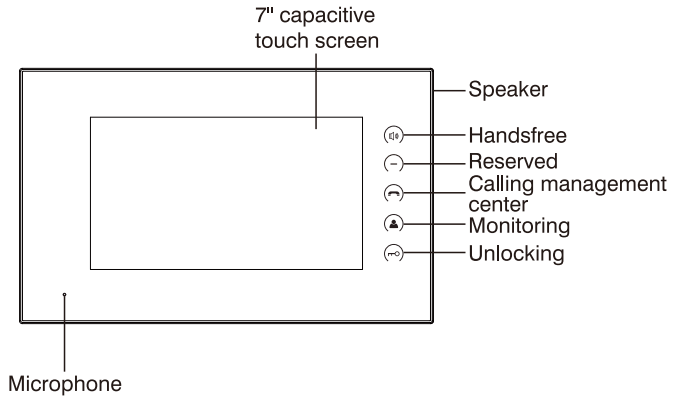
Model:S3



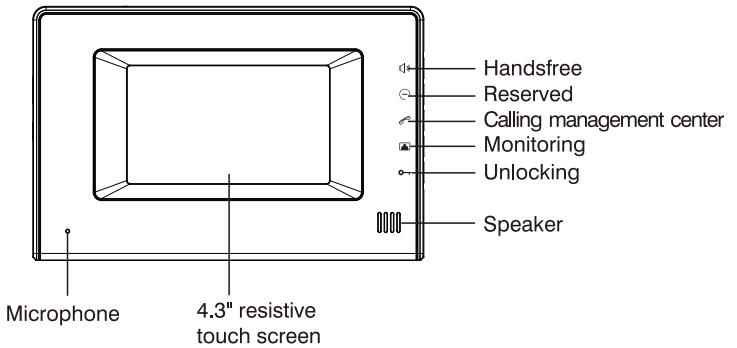
Model:S4



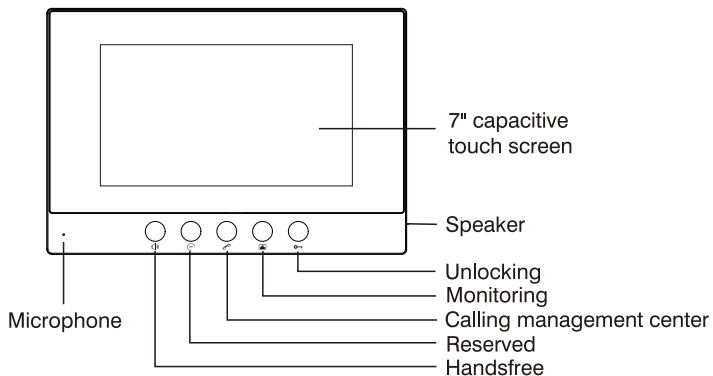
Model:S6



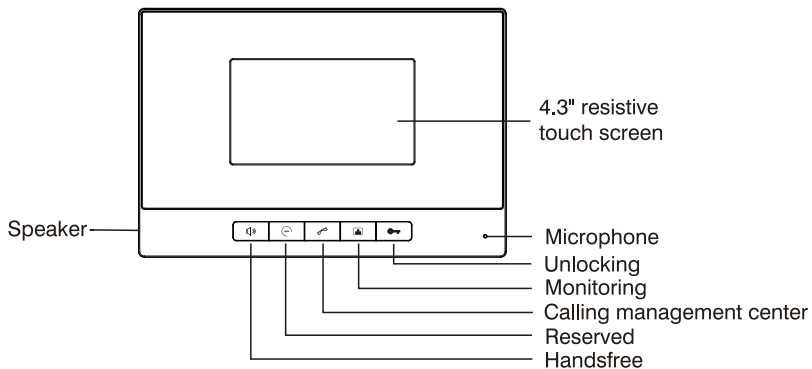
Model:I6



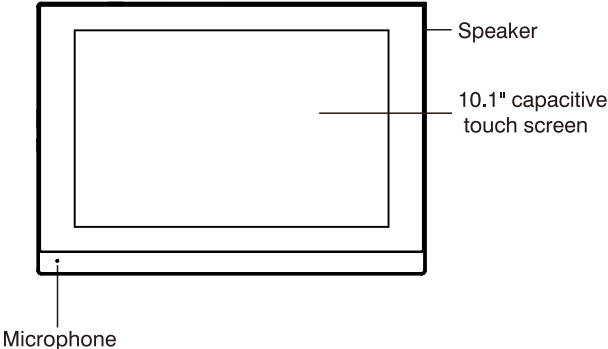
Model:S8



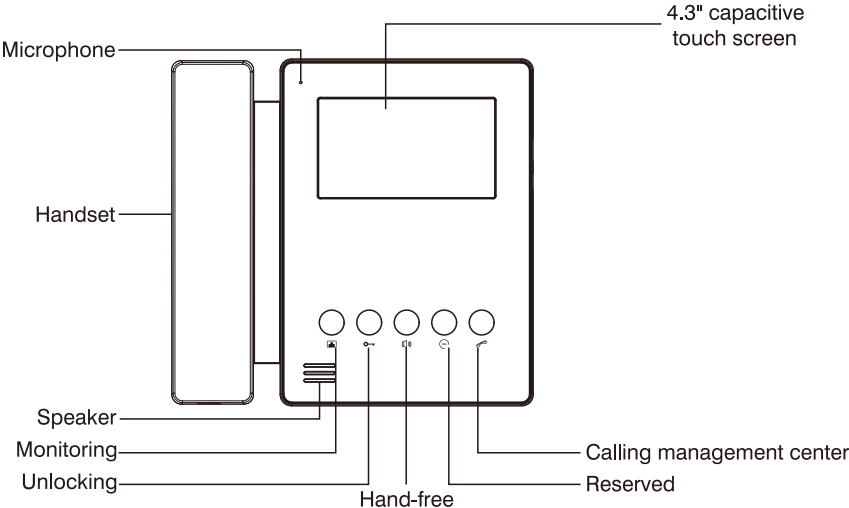
Model:I8



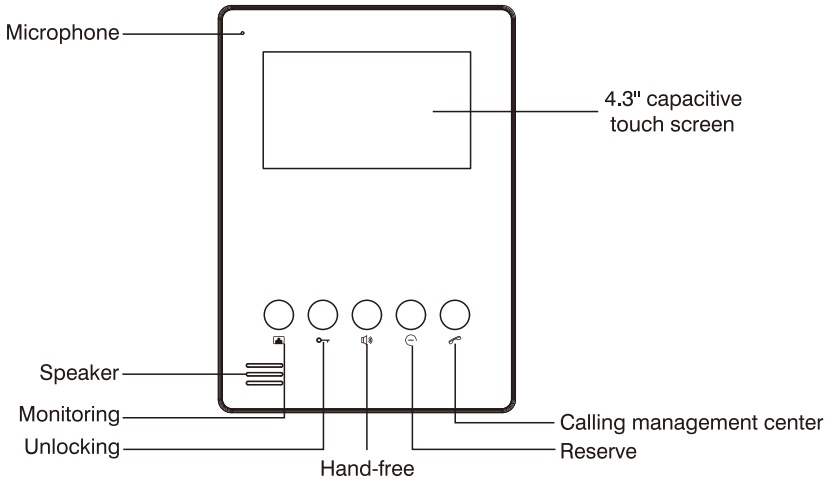
Model:S9



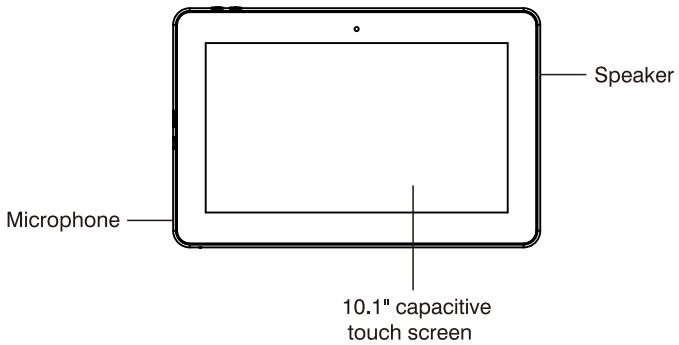
Model:I7A



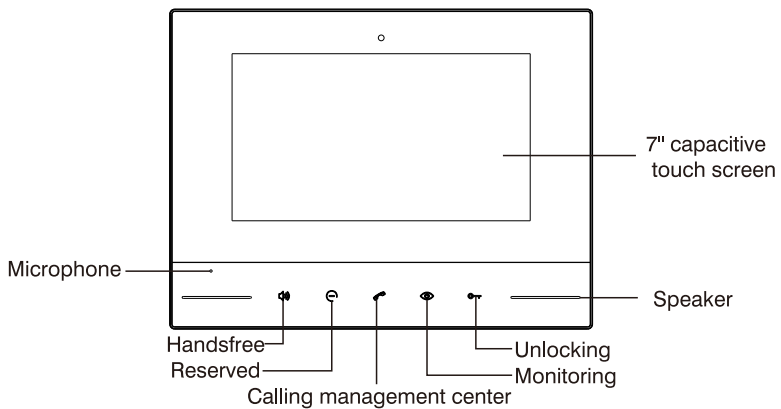
Model:I7



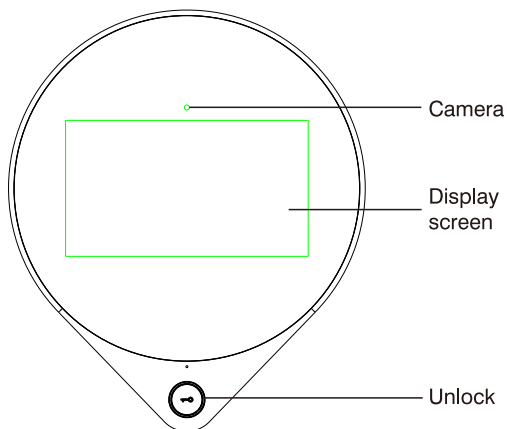
Model:S7



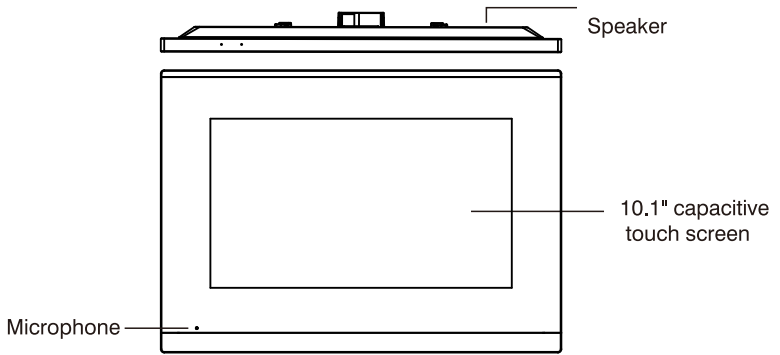
Model:S0



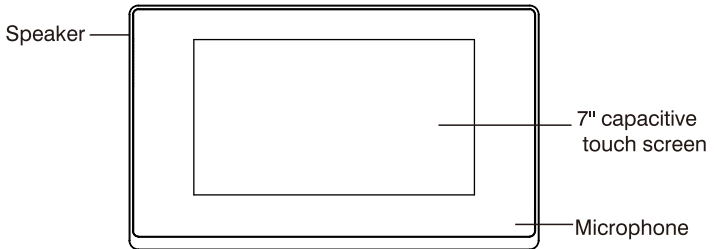
Model:W2



Model:S11

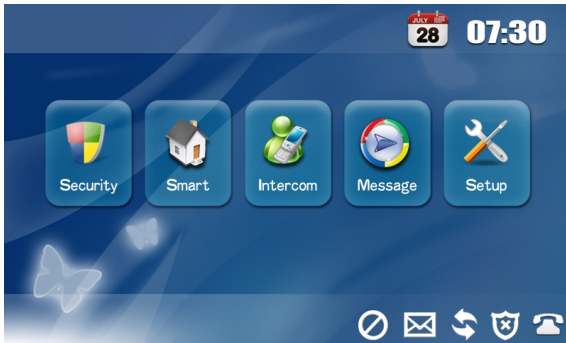


Model:Q9



- ◇ Indoor monitor doesn't support built-in camera and connection with audio indoor monitor, WiFi and Bluetooth.
- ◇ Standard indoor monitor doesn't include RS485 communication function. Please contact the supplier if you have such requirement.

Operations









Main interface: Security, Smart, Intercom, Message and Setup.

Status bar: Network connection and security precautions.

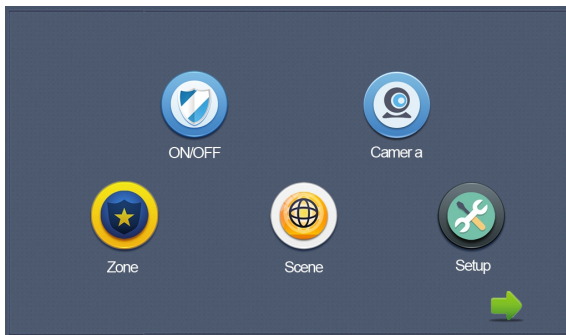
Shortcut key: Do Not Disturb, Message, Records.

Status bar instruction:

1. DND : Click  icon, the system will enter DND or undo DND. You can use Do Not Disturb service when you don't want to be disturbed by calls (The valid time is 8 hours).
2. Message : Click it to enter the Message interface.
3. Network connection : When the icon keeps lit, the indoor monitor is connected to the network.
4. Security precautions : The icon flashes during activation time and keeps lit after arming successfully.
5. SIP Registration Status : This icon keeps lit when SIP is registered.

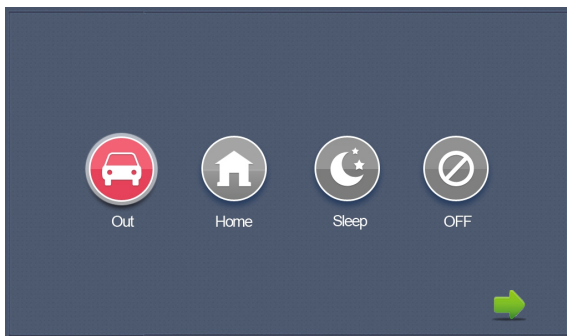
1.Security

Clicking “Security” icon on the main interface, the system will enter the following interface:



1.1 ON/OFF

Clicking “ON/OFF” icon, the system will enter the following interface:



1.1.1 ON

Click “Out” “Home”, or “Sleep” icon to activate the alarm sensors. The corresponding icon on the main interface will be lit up with a “Di-Di” tone and it will stay lit.

1.1.2 OFF





(1) During the delay time of arming, clicking “OFF” icon, the system will emit a beep. Then the alarm will be stopped.

(2) Input user password(the default password is 1234) to stop the alarm under ON status.

1.2 Camera

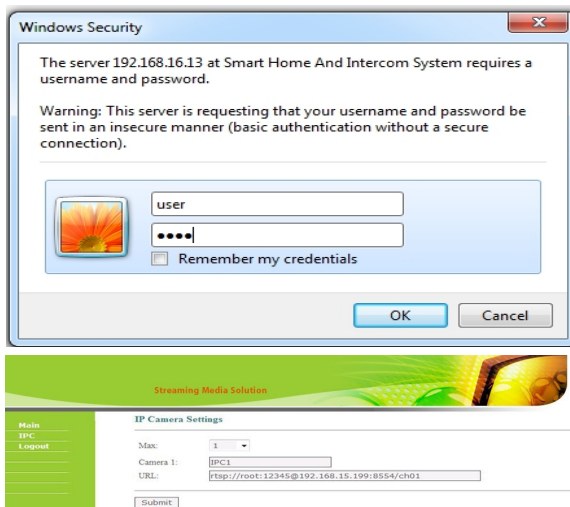
Clicking “Camera” icon, the system will enter into the following interface:



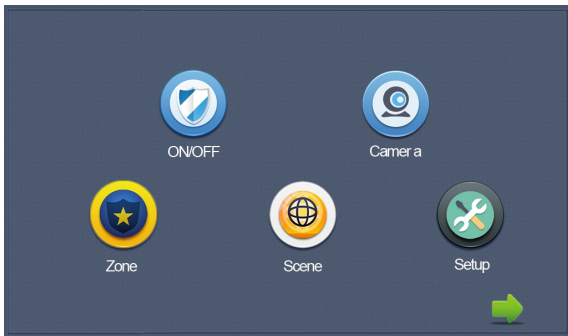
Click  icon or  icon button to select the camera you want, and then click  to monitor the IP camera. If you want to cancel monitoring, click  to stop it.

1.2.1 IP Camera Setting

Login the webpage of indoor monitor by username: user, password:1234, and then you can access the following webpage:




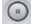


Fill the RTSP format: rtsp:// user: password@ Camera IP. IP is the IP address of your IP Camera. Then you can monitor IP Camera in Security menu on your indoor monitor:



Clicking “Camera” icon, the system will enter into the following interface:




Click  icon or  icon button to select IP Camera to monitor, and then click  icon to monitor. Click  to stop monitoring.

1.3 Zone

Remark: It shall be set when the alarm is OFF.

Click “Zone” icon and input 1-16 digits password(the default password is 1234), the system will enter into the following interface:


NO.	Type	Mode	Delay	Sensor
1	24 Hour	3C	0s	Smoke
2	24 Hour	3C	0s	Smoke
3	24 Hour	3C	0s	Smoke
4	24 Hour	3C	0s	Smoke
5	24 Hour	3C	0s	Smoke
6	24 Hour	3C	0s	Smoke
7	24 Hour	3C	0s	Smoke
8	24 Hour	3C	0s	Smoke

OK 

1.3.1 Alarm Type

Clicking input box of type, a dialog box will pop up as below. On this interface, you can set alarm type as: Normal, Emergency or 24H. 24H and Emergency type are always active.


NO.	Type	Mode	Delay	Sensor
1	24 Hour	3C	0s	Smoke
2	24 Hour	3C	0s	Smoke
3	Normal			Smoke
4	Emerg.			Smoke
5	24 Hour			Smoke
6	24 Hour			Smoke
7	24 Hour	3C	0s	Smoke
8	24 Hour	3C	0s	Smoke

OK 

1.3.2 Mode

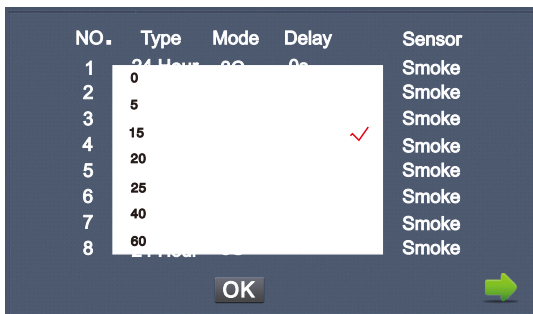
Clicking mode setting box, it will pop up a dialog box as the following interface. On this interface, you can set mode as: 3C, NO, NC or BELL.

NO.	Type	Mode	Delay	Sensor
1	24 Hour	3C	0s	Smoke
2	24 Hour	3C	0s	Smoke
3	3C			Smoke
4	NO			Smoke
5	NC			Smoke
6	BELL			Smoke
7	24 Hour	3C	0s	Smoke
8	24 Hour	3C	0s	Smoke

OK 

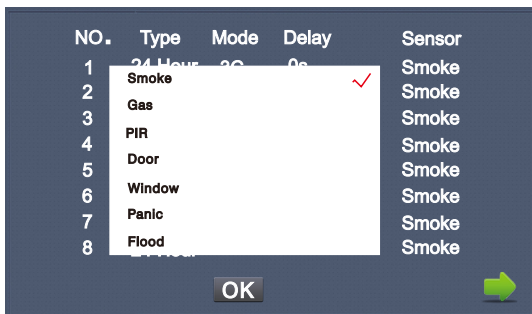
1.3.3 Delay Time

It refers to the delay time of giving an alarm. Clicking the setting box of Delay, it will pop up a dialog as follows: 0s, 5s, 15s, 20s, 25s, 40s or 60s. Choose the desired delay time. For example if you select 5s as the delay time, the indoor monitor will sound alarms in 5 seconds after the alarm sensor is triggered.



1.3.4 Sensor Type

Clicking input box of sensor type, it will pop up a dialog box as shown in the following interface. Each sensor type can be set up as: Smoke, Gas, PIR, Door, Window, Panic and Flood.



When alarm sensor is triggered, the indoor monitor will make a loud alarm sound, and the system will enter into the following interface as well as send alarm message to management center (if management center is installed in your system):

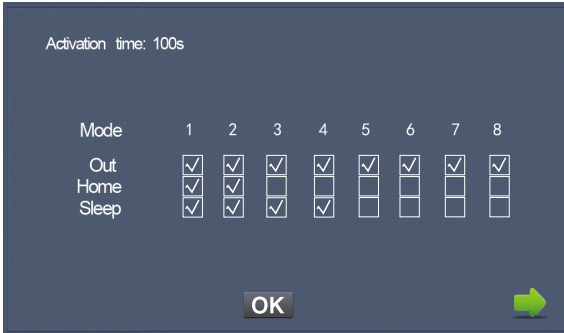


You can see the No. and sensor type in red color shown at the top of interface. For example, “2: Smoke” indicates that smoke sensor in zone 2 is triggered.

To stop the alarm sound, input the password (the default password is 1234).

1.4 Scene

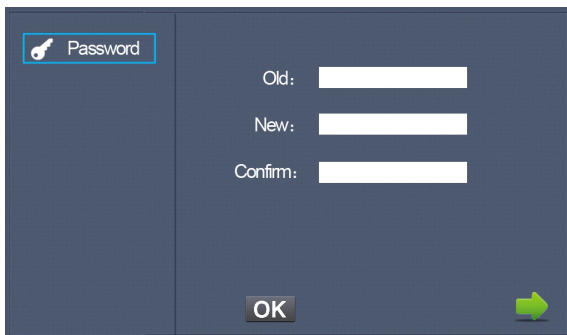
Clicking “Scene” icon, the system will enter into the following interface:



refers to Alarm ON, and refers to Alarm OFF. To set the sensor of alarm stations, you can click the corresponding station with icon. Click activation time to choose the corresponding time. The options of activation time include NONE, 30s, 40s, 60s, 100s and 300s.

1.5 Setup

Clicking “Setup” icon, the system will enter into the following interface:

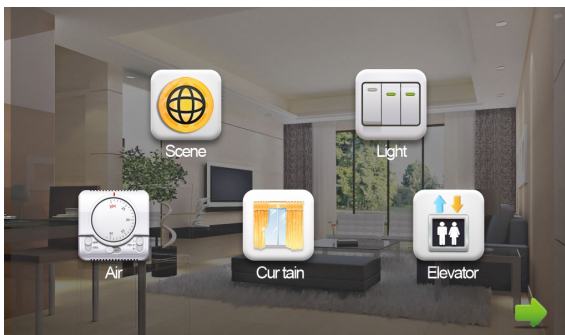


The image shows a dark blue interface for setting a password. On the left, there is a key icon and the text "Password" inside a blue-bordered box. To the right, there are three white input fields labeled "Old:", "New:", and "Confirm:". At the bottom center, there is a grey "OK" button, and at the bottom right, there is a green arrow pointing to the right.

You can set the new user password with 1-16 digits (the default password is 1234). User password is used for security.

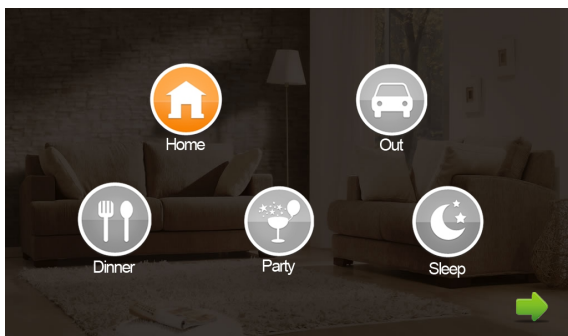
2.Smart

Clicking “Smart” icon on the main interface, the system will enter into the following interface:



2.1 Scene

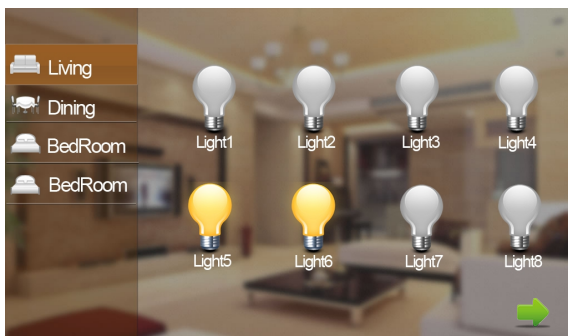
Clicking “Scene” icon, the system will enter into the following interface:



Scene mode includes: Home, Out , Dinner, Party and Sleep.

2.2 Light

Clicking “Light” icon, the system will enter into the following interface:



Set the light of corresponding room, such as Master, Sub, Living and Dining Rooms (see the room setting for details). 8 lights can be set in every room at most. Clicking the corresponding light icon, you can turn the light ON/OFF.

2.3 Air

Clicking “Air” icon, the system will enter into the following interface:

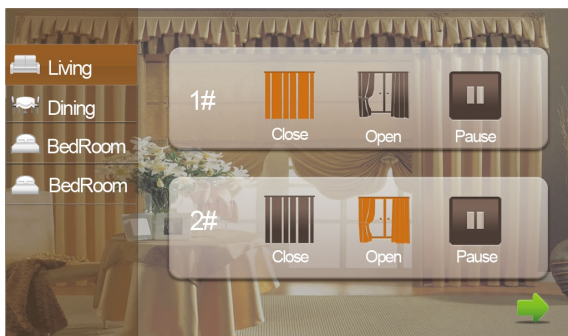


Set the air-condition switch of corresponding room. Click “OFF” icon to turn air-conditioner on/off; click “Cold” icon to cool; click “Wet” icon to dehumidify; click “Wind” icon to ventilate.

Two air-conditioners can be set for every room at most.

2.4 Curtain

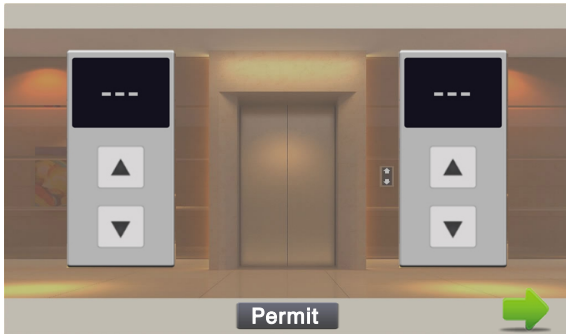
Clicking “Curtain” icon, the system will enter into the following interface:



By clicking “Close” icon, the curtain will be closed; by clicking “Open” icon, the curtain will be open; by clicking “Pause” icon, the curtain will be paused.

2.5 Elevator

Clicking “Elevator” icon, the system will enter into the following interface:



Click ▲ or ▼ icon to control the up and down of the elevator. Click “Permit” icon to permit access to the floor where the indoor monitor locates.

Remark: To support this interface, your system must be connected with “Elevator Control” module. Kindly check with your system provider.

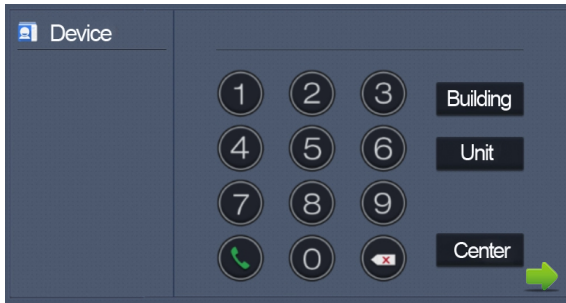
3. Intercom

Clicking “Intercom” icon on the main interface, the system will enter into the following interface:




3.1 Call Out

Clicking “Call Out” icon, the system will enter the following interface:






3.1.1 Call unit resident

Input 1-3 digit building No.+ “Building” + 2-digit Unit No. + “Unit” +4-digit room No., then click  icon to call.

The system will enter into the following interface:



When answering the call, the system will enter into call status:

Click  icon to communicate with outdoor panel A; click  icon to end the call; click  icon to unlock the door.

3.1.2 Call management center

Clicking “Center” icon to call management center, the system will call management center 1 to 5 sequentially. If the management center cannot be searched or the call failed, the system will call next management center. When the management center answers, the indoor monitor will ring and stop calling.

Click  icon to end the communication.

3.2 Monitor

Clicking “Monitor” icon, the system will enter the following interface:



Click “Door1” icon to switch outdoor panel or flat camera mode, then click or icon to select the area you want to monitor, and click icon to monitor the outdoor panel or flat camera. Click icon to stop monitoring. Click icon to unlock the door.

Remark: The system’s default monitoring time is 25s.

3.3 Records

Clicking “Records” icon, the system will enter the following interface:

NO.	Number	Date	Length
1	1010801	00-01-02 14:38:40	3s
2	1029901	14-05-29 08:50:21	11s
3	1029901	14-05-29 08:47:12	8s
4	1029901	14-05-29 08:46:49	13s
5	1019901	14-05-13 13:51:27	11s
6	1019901	00-01-01 09:27:37	35s

Navigation icons at the bottom:

refers to call-out record; refers to call-in record; refers to missed call record.

It can save up to 64 records.

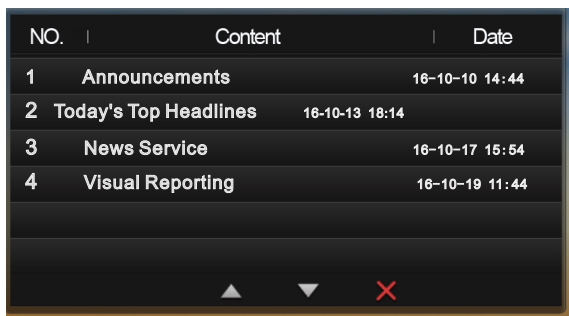
Click or icon to search for records. Select one record and click icon to call; click icon to delete it.

If the snapshot is taken, click icon to view it.




4. Message

Clicking “Message” icon, the system will enter into the following interface:

NO.	Content	Date
1	Announcements	16-10-10 14:44
2	Today's Top Headlines	16-10-13 18:14
3	News Service	16-10-17 15:54
4	Visual Reporting	16-10-19 11:44



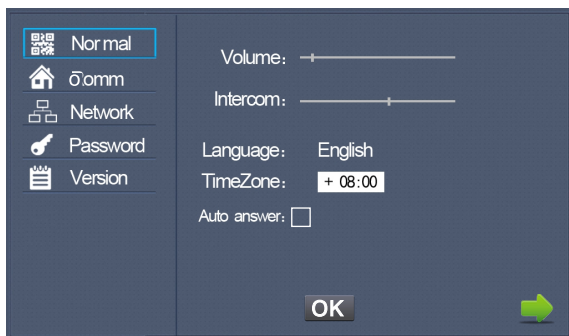
Note: only by installing the management software on PC which is usually located at guard center, can indoor monitor receive the message sent by PC.

Click  icon to page up; click  icon to page down; click  icon to delete the record.

Up to 64 messages can be received.

5. Setup

Clicking “Setup” icon, the system will enter into the following interface:

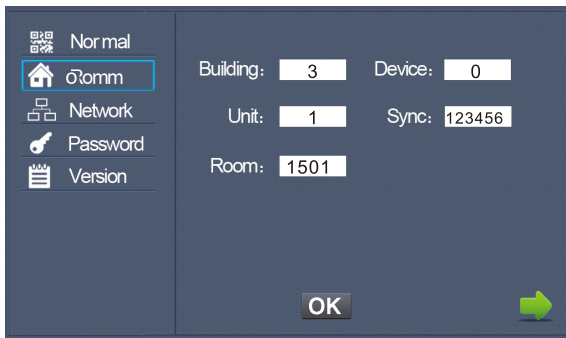


5.1 Normal

You can select the volume, intercom, language, time zone and auto answer that you want.

5.2 Room

Click “Room” icon, then input 1-16 digits password (the default password is 123456) to enter into the following interface:



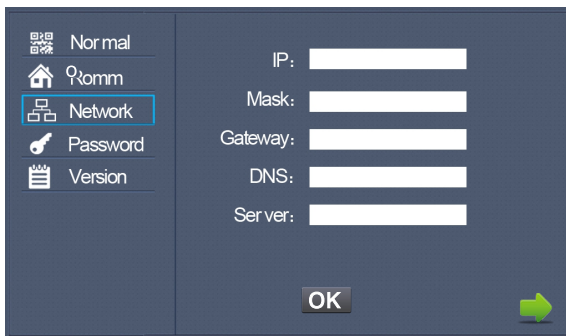
The screenshot shows a dark blue interface with a sidebar on the left containing five menu items: 'Normal', 'Room' (highlighted with a blue border), 'Network', 'Password', and 'Version'. The main area contains the following fields:

Building:	<input type="text" value="3"/>	Device:	<input type="text" value="0"/>
Unit:	<input type="text" value="1"/>	Sync:	<input type="text" value="123456"/>
Room:	<input type="text" value="1501"/>		

At the bottom, there is an 'OK' button and a green arrow pointing right.

5.3 Network

Click “Network” icon, then input 1-16 digits password (the default password is 123456) to enter into the following interface:



The screenshot shows a dark blue interface with a sidebar on the left containing five menu items: 'Normal', 'Room', 'Network' (highlighted with a blue border), 'Password', and 'Version'. The main area contains the following fields:

IP:	<input type="text"/>
Mask:	<input type="text"/>
Gateway:	<input type="text"/>
DNS:	<input type="text"/>
Server:	<input type="text"/>

At the bottom, there is an 'OK' button and a green arrow pointing right.

IP: the system will automatically display IP address of the indoor monitor.

IP address is unique.

The default Mask address is 255.255.255.0. Normally, it is unnecessary to modify.

If you would like to modify it, a keypad will pop up when clicking the setting box twice. Enter your new Mask address.

The Gateway in one system must be on the same segment.

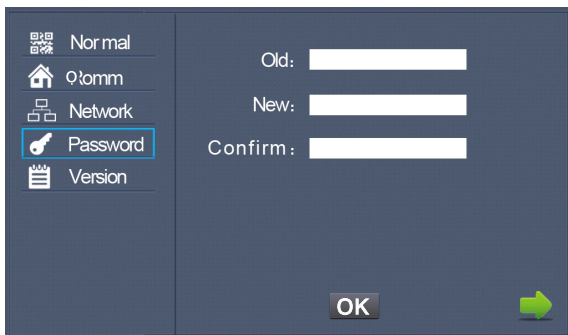
DNS: domain name resolution address (DNS of local operator). If indoor monitor is used on WAN, the address must be entered correctly; if it is used on LAN, the address can be ignored.

Server: the system will automatically display IP address of the current indoor monitor.


Click “OK” to save the settings.

5.4 Password

Click “Password” icon to enter into the following interface:



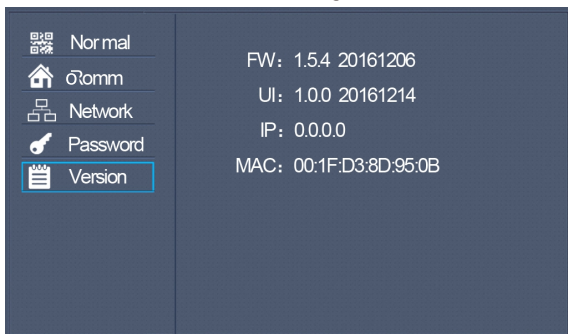
Normal	Old: <input type="text"/>
Home	New: <input type="text"/>
Network	Confirm: <input type="text"/>
Password	
Version	

OK 

You can set the new system password with 1-16 digits (the default password is 123456). System password is used for system settings.

5.5 Version

Click “Version” icon to enter into the following interface:



Normal	FW: 1.5.4 20161206
Home	UI: 1.0.0 20161214
Network	IP: 0.0.0.0
Password	MAC: 00:1F:D3:8D:95:0B
Version	

You can look over the relevant information.

Web Settings

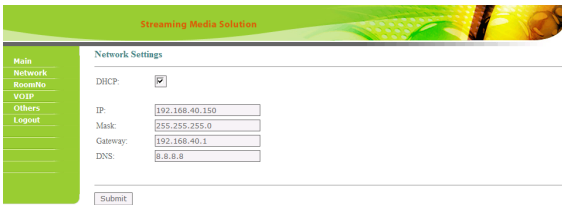
Please refer to 5.3 to view IP address.

Connect the indoor monitor and computer by network switch. Input the indoor monitor's IP address in the browser, then input user name and password (the default user name is "admin", the password is "123456" to enter into the web setting interface).



1. Network

Click "network" icon to enter into the following interface:



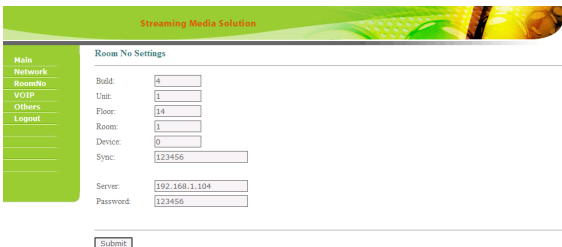
The user can change the IP address of indoor monitor.

By checking the box of DHCP, it will get IP address of current indoor monitor automatically.

Click "Submit" icon to save the settings.

2. RoomNo

Click "RoomNo" icon to enter into the following interface:

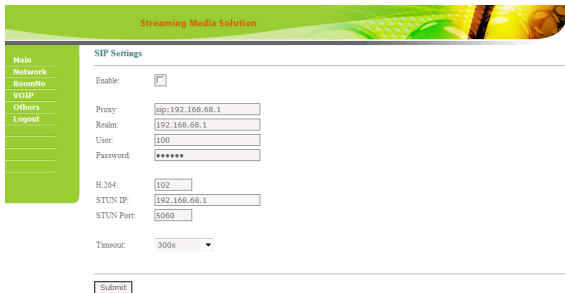


Please refer to 5.2 for room settings.

Click "Submit" icon to save the settings.

3. VOIP

Click “VOIP” icon to enter into the following interface:



The screenshot shows the 'SIP Settings' page of the 'Streaming Media Solution' web interface. On the left is a green navigation menu with options: Main, Network, RoomNo, VOIP (highlighted), Others, and Logout. The main content area is titled 'SIP Settings' and contains the following fields:

- Enable:
- Proxy:
- Realm:
- User:
- Password:
- H.264:
- STUN IP:
- STUN Port:
- Timeout:

A 'Submit' button is located at the bottom of the form.

The settings are the same with the ones of indoor monitor.

To connect with SIP phone, check “Enable” and input the number registered in SIP server.

Timeout: Setting of talking time.

Click “Submit” icon to save the settings.

4. Logout

Click “Logout” icon to enter into the following interface:

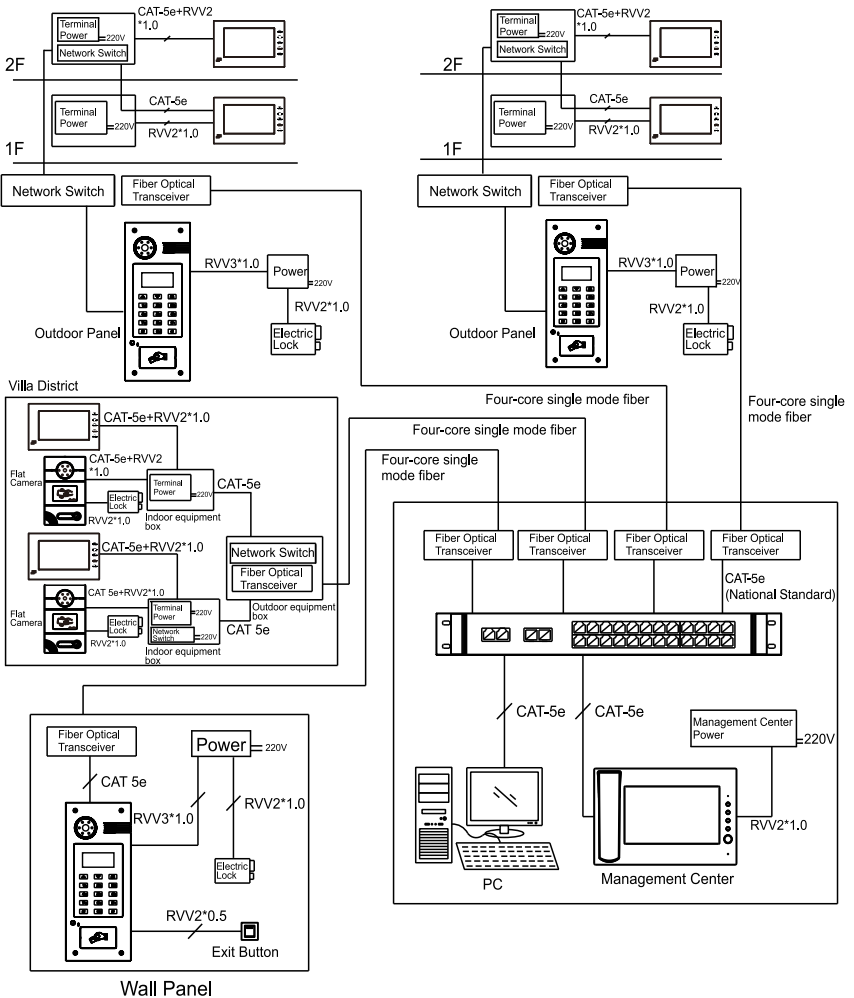


The screenshot shows the 'User Logout' page of the 'Streaming Media Solution' web interface. On the left is a green navigation menu with options: Main, Network, RoomNo, VOIP, Others, and Logout (highlighted). The main content area is titled 'User Logout' and contains the following text and button:

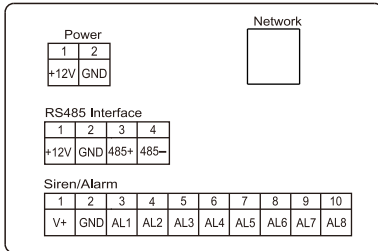
Please click [Submit] to logout user!

Clicking “Submit” icon, you will log out from the system.

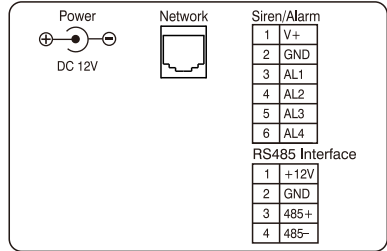
System Configuration



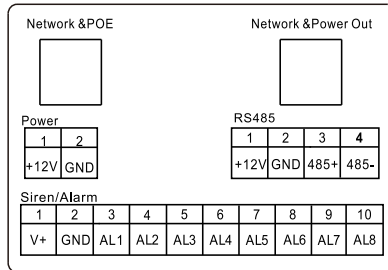
System Diagram



(Standard)



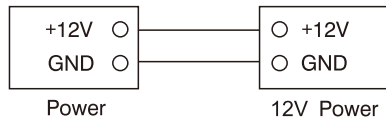
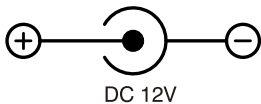
(I7/I7A)



(M-S0/S8, Switch (with Dual RJ45 Ports))

1. Power

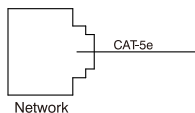
Power input interface connects with 12V power adapter.



2. Network

Connect with outdoor panel, indoor monitor or other network equipment by network switch.

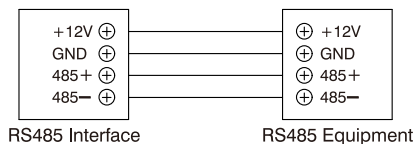
When indoor monitor has POE function, the interface can supply power by connecting with POE network switch. If network interface has 12V power supply, pin No. 4 and 5 of RJ45 interface should connect with +12 of power interface, and pin No. 7 and 8 should connect with GND of power interface.



3. RS485

Connect with RS485 interface device;

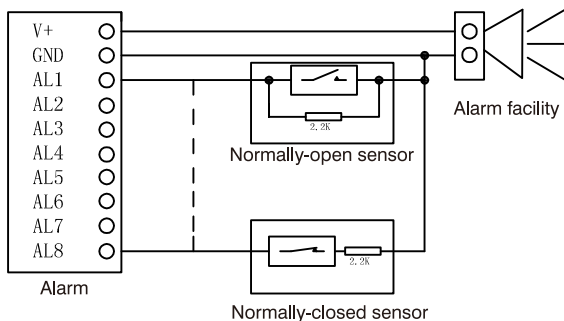
RS485 interface can output 12V/100mA power supply. If RS485 equipment to be connected doesn't require the power supply, no need to connect +12V.



4. Siren/Alarm

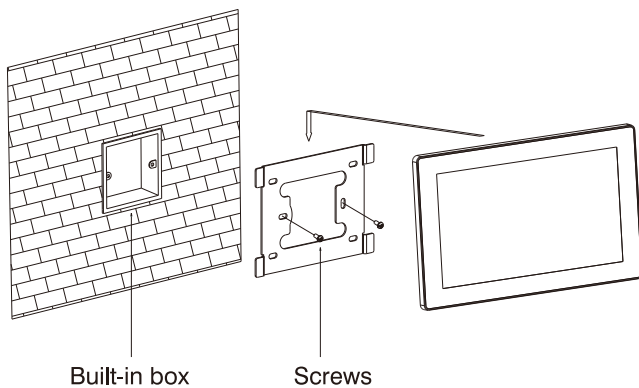
When alarm sensor is triggered, the output power is 12V/100mA.

Each interface of alarm zone can be connected with normally-open or normally-closed switch.



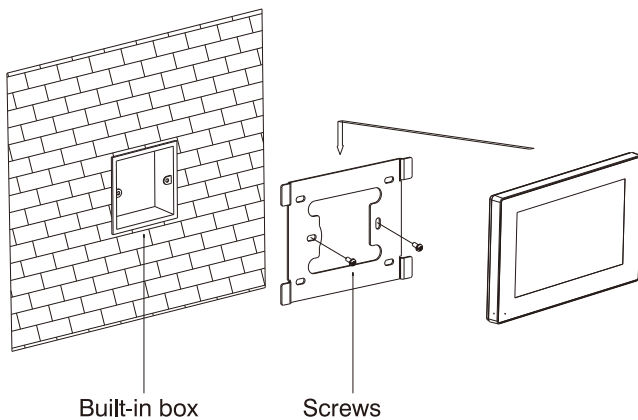
Installation

Model: S3



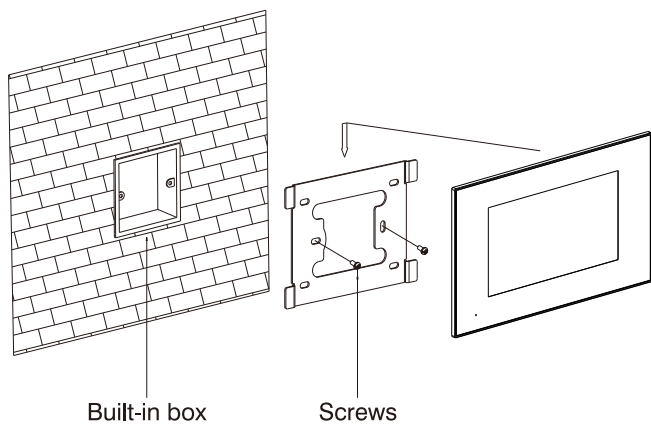
Size: 270*168*15mm

Model: S4



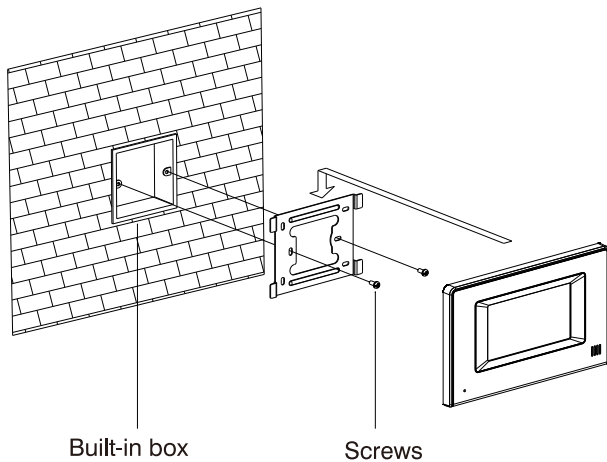
Size: 205*129*18mm

Model: S6



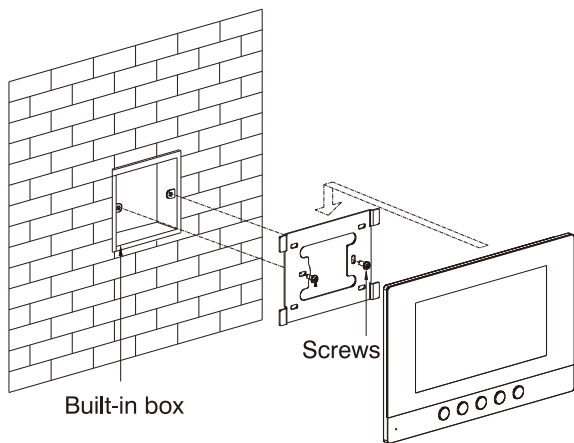
Size: 235*145*19.5mm

Model: I6



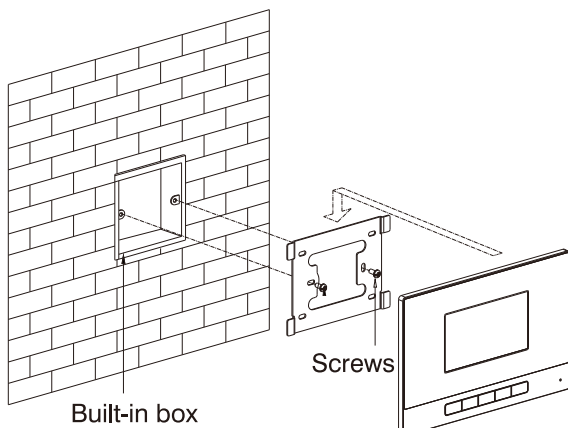
Size: 185*117*16.5mm

Model: S8



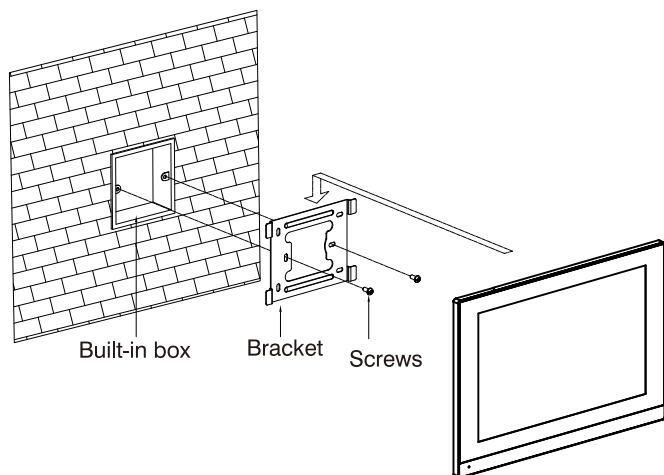
Size: 221.4*151.4*16.5mm

Model: I8



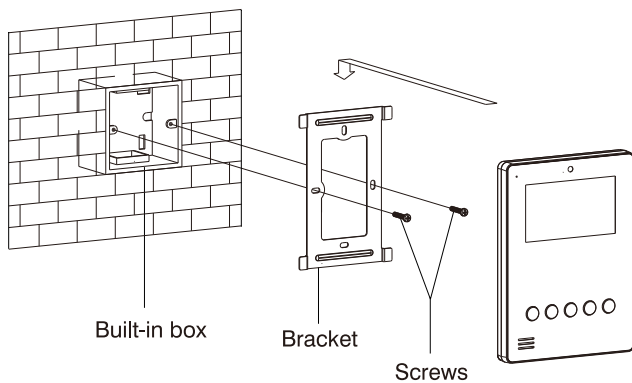
Size: 192*130*16.5mm

Model: S9



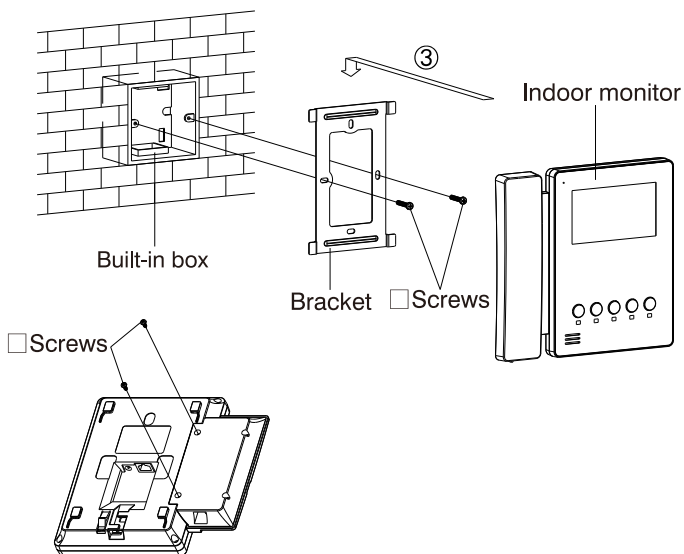
Size: 270*189*16.5mm

Model: I7



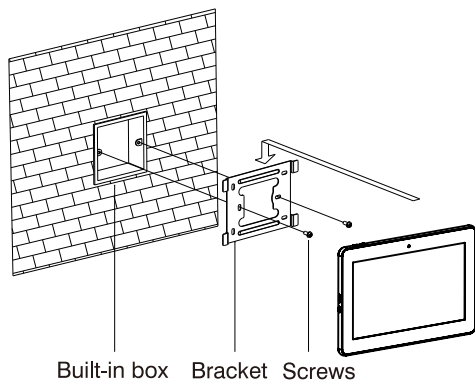
Size: 183*135*31.7mm

Model: I7A



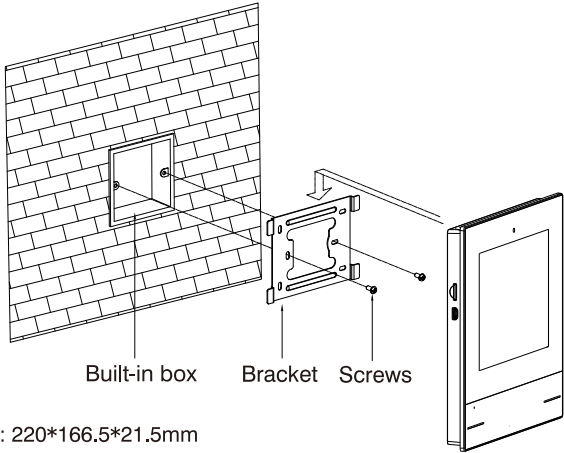
Size: 193*185*36.5mm

Model: S7



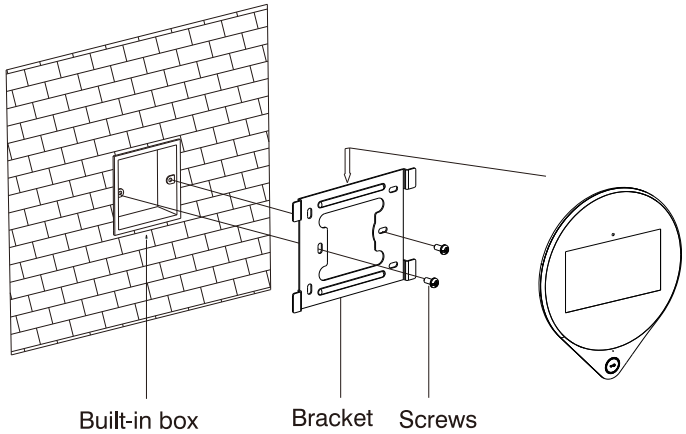
Size: 270*176*16.5mm

Model: S0



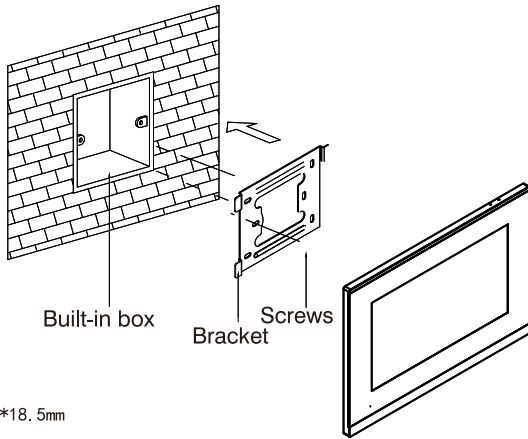
Size: 220*166.5*21.5mm

Model: W2

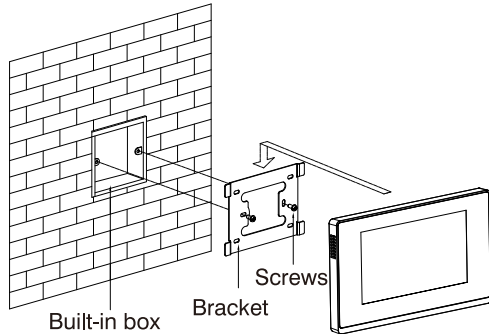


Size: 228*269.3*16.5mm

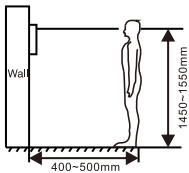
Model: S11



Model: Q9



Installation Instructions:



[Suggestion]: During the installation, the camera should be 1450~1550mm above the ground. The camera tether for photographing human face should be the top priority.

Troubleshooting

The indoor monitor cannot start up or power off automatically.

- Check whether it has power-failure, and power it on again.
-

The indoor monitor display screen is too dim.

- Check whether the brightness and contrast settings of screen are correct.
-

No sound during the communication.

- Check whether the indoor monitor is set as mutemode, or the volume is set to the lowest.
-

The indoor monitor cannot monitor the outdoor panel.

- Other user is using the system, so you can use it once he/she finished the operation.
-

Multimedia files cannot be played normally.

- Check whether the system supports the file format. Please refer to multimedia setting for details.
-

No response when clicking indoor monitor display screen.

- Press “Unlock” button for 5s, or slowly slide horizontally or vertically on the LCD to make touchscreen calibration. It needs to be calibrated twice.
-

Touchscreen responses slowly or cannot make calibration.

- Take down any protective paster, since it may affect identification and input for device;
 - Ensure the finger is dry and clean when clicking touchscreen;
 - Restart the device to clear any temporary software error.
-

The temperature of device is too high.

- Long-term use leads to high emperature. It's normal and will not affect the device's use life and performance.

Safety Instructions

In order to protect you and others from harm or your device from damage, please read the following information before using the device.

Do not install the device in the following places:

- Do not install the device in high-temperature and moist environment or the area close to magnetic field, such as the electric generator, transformer or magnet.
- Do not place the device near the heating products such as electric heater or the fluid container.
- Do not place the device in the sunshine or near the heat source. This might cause discoloration or deformation of the device.
- Do not install the device in an unstable position to avoid the property losses or personal injury caused by the falling of device.

Guard against electric shock, fire and explosion

- Do not use damaged power cord, plug or loose outlet.
- Do not touch the power cord with wet hands or unplug the power cord by pulling.
- Do not bend or damage the power cord.
- Do not touch the device with wet hands.
- Do not make the power supply slip or cause the impact.
- Do not use the power supply without the manufacturer's approval.
- Do not have the liquids such as water get into the device.

Clean Device Surface

- Clean the device surfaces with soft cloth dipped in some water, and then rub the surface with dry cloth.

Other Tips

- In order to prevent damage to the paint layer or the case, please do not expose the device to chemical products, such as the diluent, gasoline, alcohol, insect-resist agents, opacifying agent and insecticide.
- Do not knock on the device with hard objects.
- Do not press the screen surface. Overexertion might cause flopover or damage to the device.
- Please be careful when standing up from under the device.
- Do not disassemble, repair or modify the device at your own discretion. The arbitrary modification is not covered under warranty. When any repair required, please contact the customer service center.
- If there is abnormal sound, smell or fume in the device, please unplug the power cord immediately and contact the customer service center.
- When the device isn't used for a long time, the adaptor and memory card can be removed and placed in dry environment.
- When moving, please hand over the manual to new tenant for proper usage of the device.

