

SUPREME
A NEW DEFINITION OF HD

FD8362/62E

Fixed Dome Network Camera

2MP • Full HD • Smart Focus System • Vandal-proof



VIVOTEK FD8362/62E are professional fixed dome network cameras offering 2-Megapixel or 1080p Full HD resolution with superb image quality up to 30 fps. The cameras can capture a much more comprehensive area than a standard VGA model, significantly reducing the number of units required. It is especially suitable for monitoring wide open outdoor such as building entrances, airports or applications requiring accurate identification.

For installers, properly adjusting the focus of a megapixel network camera can be difficult due to the image detail. Thus VIVOTEK introduces the Smart Focus System including Focus Assist Button and Remote Focus to make installation and adjustment easier. VIVOTEK adopts lenses with built-in stepping motors that the installer can use to remotely control the focal length and precisely adjust the camera focus, offering hassle-free installation and maintenance.

For complete installation and tampering prevention, the camera also allows for different cover options to fit different conduits and corrugated tubes sizes for cable installation. Its IP66-rated housing is designed to help the camera body withstand rain and dust and ensures operation under a multitude of harsh weather conditions. The wide temperature range further enhances the FD8362E's performance and reliability in extremely cold and warm weather. Additionally, the metal vandal-proof housing effectively provides robust protection from vandalism.

With other advanced features such as tamper detection, 802.3af compliant PoE, SD/SDHC card for on-board storage, video cropping, and e-PTZ functionality, the FD8362/62E provide the most robust solution suitable for any demanding outdoor environments.

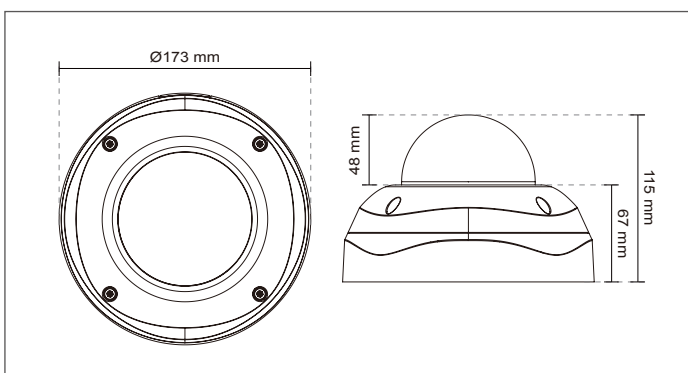
Features

- > 2-Megapixel CMOS Sensor
- > Up to 30 fps @ 1080p Full HD
- > Removeable IR-cut Filter for Day & Night Function
- > Real-time H.264, MPEG-4 and MJPEG Compression (Triple Codec)
- > WDR Enhancement for Unparalleled Visibility in Extremely Bright or Dark Environments
- > Smart Focus System for Remote and Precise Focus Adjustment
- > Vandal-proof IK10-rated and Weather-proof IP66-rated Housing
- > Wide Temperature Range for Extreme Weather Conditions (FD8362E)
- > Built-in 802.3af Compliant PoE
- > Built-in MicroSD/SDHC Card Slot for On-board Storage

System	<ul style="list-style-type: none"> CPU: TI DM368 SoC Flash: 16MB RAM: 256MB Embedded OS: Linux 2.6
Lens	<ul style="list-style-type: none"> Board lens, vari-focal, f = 3 ~ 9 mm, F1.2 (wide), F2.1 (tele), auto-iris, remote focus Removable IR-cut filter for day & night function
Angle of View	<ul style="list-style-type: none"> 31.7° ~ 93.0° (horizontal) 23.8° ~ 68.4° (vertical) 39.6° ~ 118.9° (diagonal)
Shutter Time	<ul style="list-style-type: none"> 1/5 sec. to 1/32,000 sec
Image Sensor	<ul style="list-style-type: none"> 1/2.7" progressive scan CMOS sensor in 1920x1080 resolution
Minimum Illumination	<ul style="list-style-type: none"> 0.57 Lux @ F1.2 (1/30S) 0.08 Lux @ F1.2 (1/5S) 0.001 Lux @ F1.2 (B/W)
Video	<ul style="list-style-type: none"> Compression: H.264, MJPEG & MPEG-4 Streaming: <ul style="list-style-type: none"> Multiple simultaneous streams H.264 streaming over UDP, TCP, HTTP or HTTPS MPEG-4 streaming over UDP, TCP, HTTP or HTTPS H.264/MPEG-4 multicast streaming MJPEG streaming over HTTP or HTTPS Supports activity adaptive streaming for dynamic frame rate control Supports video cropping for bandwidth saving Supports ePTZ for data efficiency Supports 3GPP mobile surveillance Frame rates : <ul style="list-style-type: none"> H.264: <ul style="list-style-type: none"> Up to 30 fps at 1920x1080 MPEG-4: <ul style="list-style-type: none"> Up to 30 fps at 1920x1080 MJPEG: <ul style="list-style-type: none"> Up to 30 fps at 1920x1080 Interface: <ul style="list-style-type: none"> Audio/Video output NTSC/PAL video output switch
Image Settings	<ul style="list-style-type: none"> Adjustable image size, quality and bit rate Time stamp and text caption overlay Flip & mirror Configurable brightness, contrast, saturation, sharpness, white balance and exposure AGC, AWB, AES WDR enhanced Automatic, manual or scheduled day/night mode BLC (Backlight Compensation) Supports privacy masks
Audio	<ul style="list-style-type: none"> Compression: <ul style="list-style-type: none"> GSM-AMR speech encoding, bit rate: 4.75 kbps to 12.2 kbps MPEG-4 AAC audio encoding, bit rate: 16 kbps to 128 kbps G.711 audio encoding, bit rate: 64 kbps, μ-Law or A-Law mode selectable Interface: <ul style="list-style-type: none"> External microphone input Audio output Supports two-way audio Supports audio mute
Networking	<ul style="list-style-type: none"> 10/100 Mbps Ethernet, RJ-45 Onvif support Protocols: IPv4, IPv6, TCP/IP, HTTP, HTTPS, UPnP, RTSP/RTP/RTCP, IGMP, SMTP, FTP, DHCP, NTP, DNS, DDNS, PPPoE, CoS, QoS, SNMP, and 802.1X

Alarm and Event Management	<ul style="list-style-type: none"> Triple-window video motion detection Tamper detection One D/I and one D/O for external sensor and alarm Event notification using HTTP, SMTP or FTP Local recording of MP4 file
On-board Storage	<ul style="list-style-type: none"> MicroSD/SDHC card slot Stores snapshots and video clips
Security	<ul style="list-style-type: none"> Multi-level user access with password protection IP address filtering HTTPS encrypted data transmission 802.1X port-based authentication for network protection
Users	<ul style="list-style-type: none"> Live viewing for up to 10 clients
LED Indicator	<ul style="list-style-type: none"> System power and status indicator
Power	<ul style="list-style-type: none"> 12V DC 24V AC Power consumption: <ul style="list-style-type: none"> Max. 4.8 W (FD8362) Max. 14.46 W (FD8362E) (with heater & fan) 802.3af compliant Power-over-Ethernet (Class 3)
Housing	<ul style="list-style-type: none"> Vandal-proof IK10-rated metal housing Weather-proof IP66-rated housing
Approvals	<ul style="list-style-type: none"> CE, LVD, FCC, VCCI, C-Tick
Operating Environments	<ul style="list-style-type: none"> Temperature: <ul style="list-style-type: none"> FD8362: 0 ~ 50 °C (32 ~ 122 °F) FD8362E: -40 ~ 55 °C (-40 ~ 131 °F) Humidity: 90% RH
Viewing System Requirements	<ul style="list-style-type: none"> OS: Microsoft Windows 7/Vista/XP/2000 Browser: Mozilla Firefox, Internet Explorer 6.x or above Cell phone: 3GPP player Real Player: 10.5 or above Quick Time: 6.5 or above
Installation, Management, and Maintenance	<ul style="list-style-type: none"> Mounting Bracket with Cable Concealment Installation Wizard 2 32-CH ST7501 recording software Supports firmware upgrade
Applications	<ul style="list-style-type: none"> SDK available for application development and system integration
Warranty	<ul style="list-style-type: none"> 36 months

Dimension



All specifications are subject to change without notice. Copyright©2011 VIVOTEK INC. All rights reserved.

Distributed by:

DIREKTRONIK

Direktronik AB tel. 08-52 400 700 www.direktronik.se



VIVOTEK INC.

6F, No.192, Lien-Cheng Rd., Chung-Ho, New Taipei City, 235, Taiwan, R.O.C.
|T: +886-2-82455282 |F: +886-2-82455532 |E: sales@vivotek.com

VIVOTEK USA, INC.

470 Lakeside Drive Suite C, Sunnyvale, CA 94085 USA
|T: 408-773-8686 |F: 408-773-8298 |E: salesusa@vivotek.com