

EXPLOSION PROOF 4.2X IP CAMERA

HLZ-61KDS/4.2X



Feature

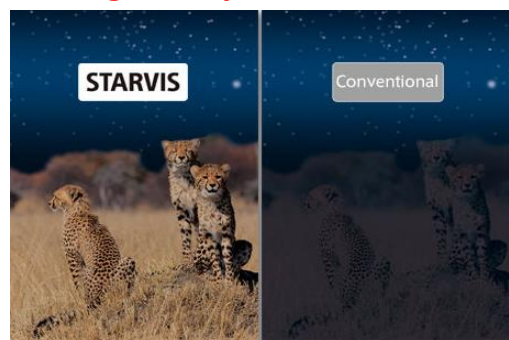
- Certified for Gas: Zones 1 and 2 IIC T6 Group
Dust: Zones 21 and 22 IIIC T85°C Group
- Temperature range -40°C ~ 65°C
- Enclosure NEMA 4X, IP68, IP69 & IK10
- Stainless steel 316L
- Preinstalled armored cable 4M
- Star Light Sony sensor IMX307
- Built-in 4.2X zoom lens
- True WDR
- POE support
- ONVIF compliant
- APP push video
- Compact size max: 95x145.5mm
- Made in Taiwan

Certification	Mark	Mark
Atex		II 2G Ex d IIC T6 Gb
Atex		II 2D Ex t IIIC T85°C Db
IECEX		Ex d IIC T6 Gb
IECEX		Ex t IIIC T85°C Db



Solution for hazardous area: onshore, offshore, heavy industrial, oil and gas environments

Star Light Sony Sensor



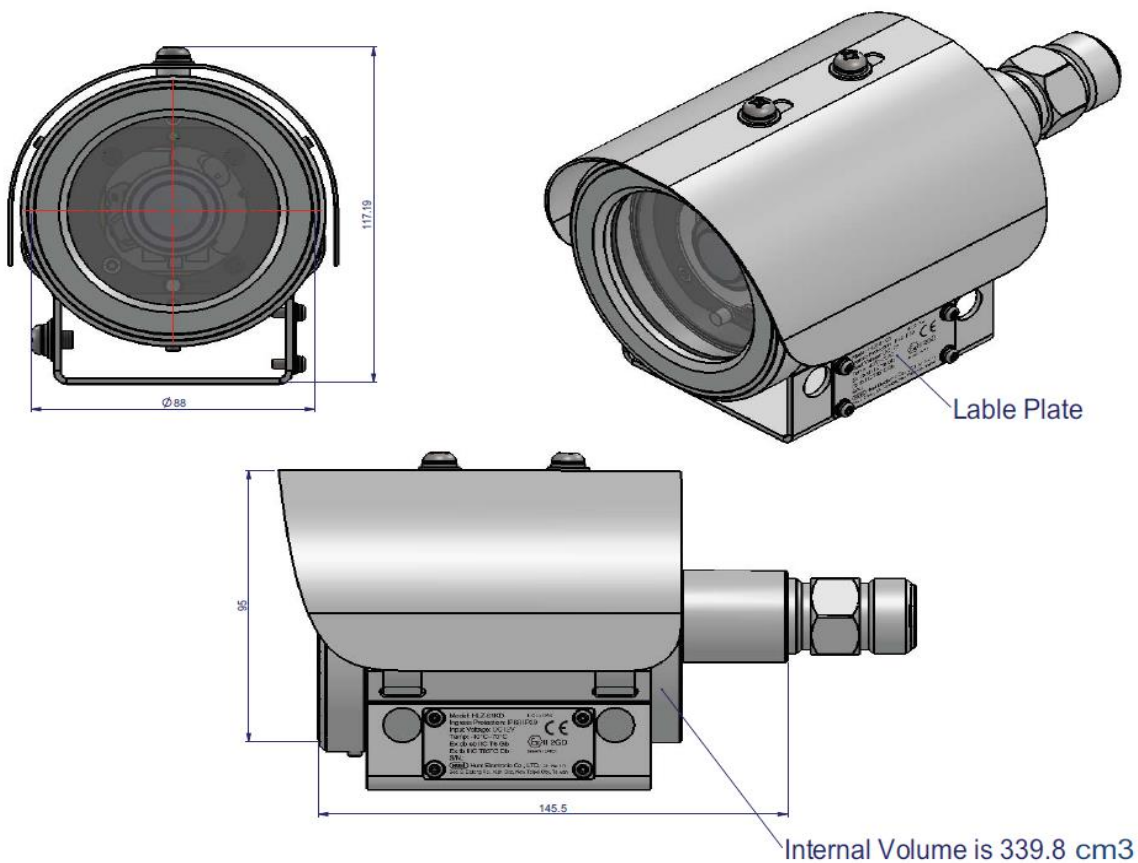
Excellent low light (STARVIS)

Specification

HLZ-61KDS/4.2X

Server	Compression	H.265 (H.264+) / H.264/ MJPEG
	Maximum Stream	4 simultaneous stream
	Resolution	1920x1080@30fps, 1280x720@30fps, 640x480@30fps, 640x360@30fps, 320x240@30fPS, 176x144@30fPS
	RAM / Flash	256MB / 128MB
	Max. Frame Rate	(30fps)1920x1080
	Safety	Password protection, IP address filtering, HTTPS encrypted data transmission, 802.1X port-based, authentication for network protection, QoS/DSCP, ICMP
	Protocols	IPv6, IPv4, HTTP, HTTPS, SNMP, QoS/DSCP, Access list, IEEE 802.1X, RTSP, TCP/ IP, UDP, SMTP, FTP, PPPoE, DHCP, DDNS, NTP, UPnP, 3GPP, SAMBA, Bonjour, ONVIF Profile S,T,G
	Number of User	Max. 10 connections
	Storage Capacity	Micro SD card / FTP / NAS(Samba) / E-mail
	Alerting	SMTP / FTP / Samba / Micro SD / I/O
	Pre / Post Alarm	Pre(0,1,2,3,4,5) / Post(0,1,2,3,4,5,10)seconds
	Release for Alarm	Motion detection / I/O / Schedule / Tampering Detection / Sound Detection
Network Camera	Sensor	1/2.8" Sony STARVIS CMOS sensor IMX 307
	Optical Lens	Motorized lens 2.8~12mm / optical 4.2x zoom / F1.4
	View Angle	33.1~94.46°(H), 18.09~50.23 °(V)
	T-WDR	Yes, 120dB
	AGC	8X ~ 128X
	Shutter Time	Outdoor / Indoor / 1/1/, 1/30, 1/50, 1/60, 1/100, 1/125, 1/250, 1/500, 1/1000, 1/5000, 1/10000
	Min Illum	0.003 Lux (Color), 0.001 Lux (B/W)
	ICR	IR cut filter mechanism, day & night manual switch time control
	Intelligent Video	ROI, Smart Stream, Motion Detection, Privacy Mask, Anti Fog, Tampering Detection, Corridor Mode, Push Video, P2P(Optional)
Explosion Proof	Housing Material	AISI 316L Stainless Steel
	Certification	Atex : II 2G Ex d IIC T6 Gb II 2D Ex t IIIC T85°C Db IECEX: Ex d IIC T6 Gb Ex t IIIC T85°C Db TUV Certificate Directive 2014/34/EU - Explosion Protect Vibration SGS
Audio	Audio	2-way
	Audio Compression	G.711(64Kbps) / G.726(24Kbps) / G.726(32Kbps)
	Adjust Volume	Web adjustable
	Audio In	3.5mm phone jack(Support 2-way)
	Audio Out	3.5mm phone jack(Support 2-way)
Terminal	Network Interface	Ethernet (10Base-T/100Base-Tx) / PoE
	RS-485	Yes
	Cable Length	4M
	Alarm In/Out	1x DI / 1x DO
	SD Card	Up to 256GB Industrial Micro SD card built-in (optional) Micro SD Card (Recording trigger for schedule, Motion Detection, IP check, Network wire break down, DI)
General	Operation Voltage	DC 12V Max: 1.7W, PoE Max: 2.6W -40°C Heater on (Optional Heater): 9W
	Dimen./Weight	95mm(φ) x 145.5mm(H) / 3.8kgs
	Operation Temp.	-40°C ~ +65°C
	Enclosure Certificate	IP68, IP69K, IK10, NEMA 4X, UL2717 Cable

Dimension



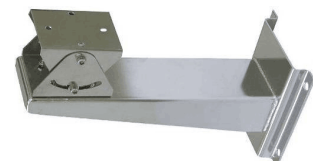
Accessories (Option):



A-JB01S / Junction Box
SUS316L, G3/4 outlet hole x 2
260 x 160 x 230mm, 3.3kgs



A-PP01S /Flexible Pipe
SUS316L
1M



A-WM01S / Wall Mount Bracket
SUS316L
150 x 312 x 305mm, 2.1kgs



A-PO01S / Pole Mount
SUS316L, Poles 4 to 6" diameter
240 x 163 x 72mm, 1.6kgs



**A-CA01S / Concave Corner
Mount Adaptor**
SUS316L
305 x 210 x 60mm, 1.1kgs



**A-CA02S / Convex Corner Mount
Adaptor**
SUS316L
322 x 210 x 179mm, 2.1kgs