



HDMI 2.0 optical fiber detachable extender,



HDMI 2.0 optical fiber detachable extender, HAFX-300, extends HDMI 2.0 signal up to 200m (656feet) and transmits 4K UHD (4096x2160) at 60Hz over one duplex LC multi-mode fibers. Leading-edge technology of Opticis allows long distance transmission of 4K signal without any video/audio degradation.

HAFX-300 is designed compact enough to be fitted into various installation environments. It gives slim, light, easy installation with perfect electrical isolation, but without electrical hazard and interference.

High-Retention HDMI connector, which allows for more retention force than standard HDMI connector, prevents accidental disconnection.

HAFX-300 is compliant with HDMI standards features like CEC, EDID and HDCP 2.2 for better installation flexibility and compatibility. It also supports HDR to deliver more realistic, and objective video signal.

HAFX-300 can be operated by either USB power or DDC 5V power from HDMI source (Tx only). Auto Power-Switching feature makes it more reliable on its power supply.

Specification

- Supports HDMI2.0 standards feature
- Extends up to 4K (4096x2160) at 60Hz, (RGB & YCbCr : 4:4:4)
- Transmits HDMI 2.0 data up to 200m (656feet) over one duplex LC multi-mode fiber (OM3)
- Prevents accidental disconnection by using High-Retention HDMI connector
- Operates by either USB Power(Both Tx and Rx) or DDC 5V from HDMI source (Tx only)
- Provides Auto Power-Switching feature
- Provides diagnosis feature
- Supports 3D contents transmission
- Complies with CEC, EDID and HDCP 2.2
- Supports HDR at 10 bit or 12 bit speeds respectively within its maximum bandwidth, 18Gbps

Applications

- Medical imaging
- Military
- Digital Signage
- Control room
- Simulator
- Rental staging

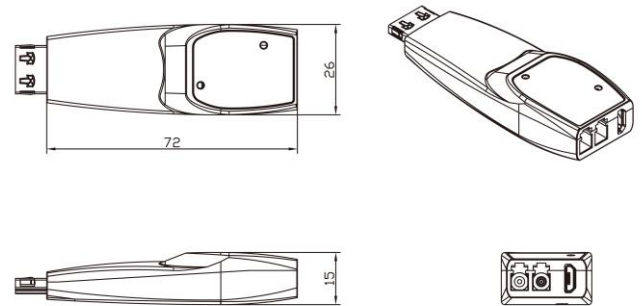
HDMI 2.0 optical fiber detachable extender,

DIREKTRONIK

Technical Features

Resolution	Up to 4K(4096x2160) at 60Hz,
Bit rate	Up to 6.0 Gbps/ch
Maximum distance	Up to 200m (656feet)
Fiber	2 LC multi-mode fiber (OM3)
Power supplying	External USB power by micro USB to USB cable or DDC 5V from HDMI source(Tx Only)
LED Indicators	TX: power, signal transmission RX: power, signal detection
Power consumption	< 2.5W
Operating temperature	0°C to 50°C
Operating humidity	10~85% RH, non-condensing
Size (LWH)	26 x 72 x 15 mm

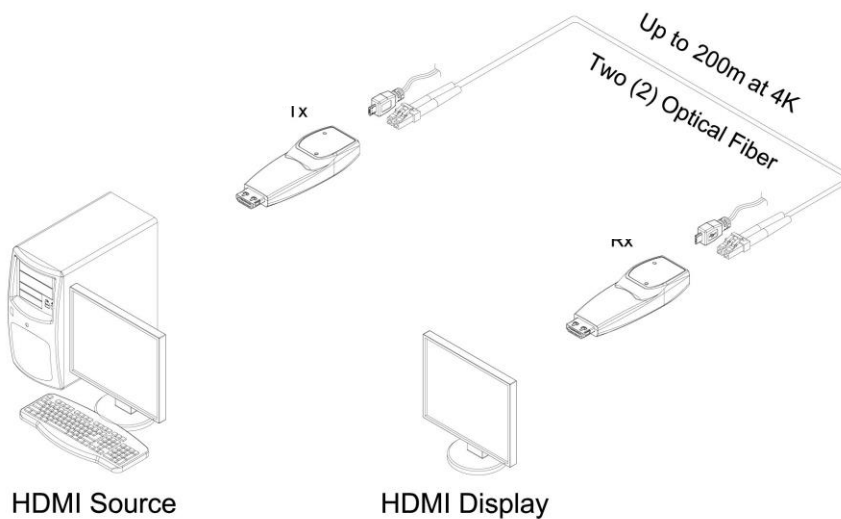
Dimension [mm]



Size(LWH) : 26 x 72 x 15mm

Connection Diagram

4K UHD(4096x2160) @60Hz up to 200m



DIREKTRONIK

Direktronik AB tel. 08-52 400 700 www.direktronik.se