

XENON BEACONS

RB Series



- 3 point or magnetic mounting
- Dual voltage 12/24V versions
- Multi-voltage versions for battery powered vehicles
- High efficiency
- Application- commercial vehicles, service vehicles, materials handling and cleaning machines

SPECIFICATIONS

MODEL	VOLTAGE	CURRENT	JOULES	FLASH RATE	LIGHT OUTPUT
RB4XDV/6	10-32Vdc	300-600mA	4.0 J	75 fpm	>50Cd (e)
RB4XDV/6MAG	10-32Vdc	300-600mA	4.0 J	75 fpm	>50Cd (e)
RB2XDV/15	10-33Vdc	0.75-1.5A	6.0 J	125 fpm	>60Cd (e)
RB2XDV/15MAG	10-33Vdc	0.75-1.5A	6.0 J	125 fpm	>60Cd (e)
RB4XMV/2P	10-100Vdc 30-60Vac	145-40mA	1.5 J	75 fpm	>18Cd (e)
RB4XMV/5	10-100Vdc 30-60Vac	360-60mA	4.0 J	75 fpm	>44Cd (e)

- Protection:** IP65
- Temp Rating (°C):** -20 to +55
- Cable Entry:** Through base
- Construction:** ABS base, Polycarbonate lens
- Weight:** 0.4Kg

ORDER CODE

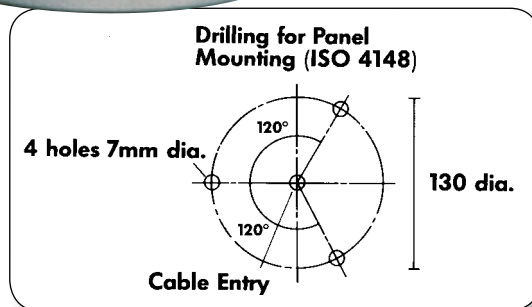
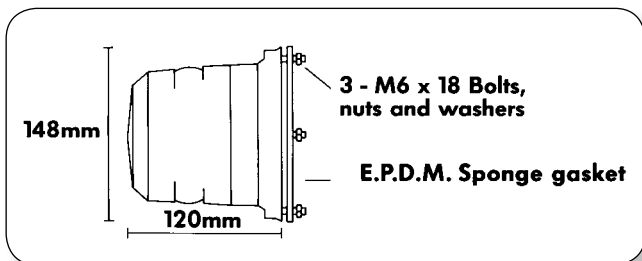
- DLR401206*** RB4xDV/6 12/24Vdc
- DLR401206*MAG** RB4xDV/6 12/24Vdc Magnet Base
- DLR201215*** RB2xDV/15 12/24Vdc
- DLR201215*MAG** RB2xDV/15 12/24Vdc Magnet Base
- DLR401002*** RB4xMV/2P 10-100Vdc, 30-60Vac
- DLR401005*** RB4xMV/5 10-100Vdc, 30-60Vac

****SPECIFY COLOUR A = Amber, B = Blue, C = Clear, G = Green, R = Red**

ACCESSORIES AND SPARE PARTS

- DL900030*** RB Dome (**Specify Colour)
- DL900050** RB2XDV/15 Xenon tube kit
- DL900051** RB4XMV/5 Xenon tube kit

See page 202 for accessories (subject to changes)



XENON BEACONS

RB — EL — Rear Guard Accessories



FX9 Steel Guard for RB Series

ORDER CODE

DLFX9



FX10 Steel Guard for EL Series

ORDER CODE

DLFX10



FX23 Steel Guard for Rear Guard

ORDER CODE



DLFX23

FX7 Single Bolt Mount RB Series

ORDER CODE

DLFX7



FX12 Single Bolt Mount EL Series

ORDER CODE

DLFX12



FX13 Pole Mount Kit RB - EL Series

ORDER CODE

DLFX13



FX21 Pole Mount Connector

ORDER CODE

DLFX21



FX60 Magnetic Kit RB Series

ORDER CODE

DLFX60



FX11 Magnetic Kit EL Series

ORDER CODE

DLFX11



FX16 Backing Plate RB - EL Series

ORDER CODE

DLFX16